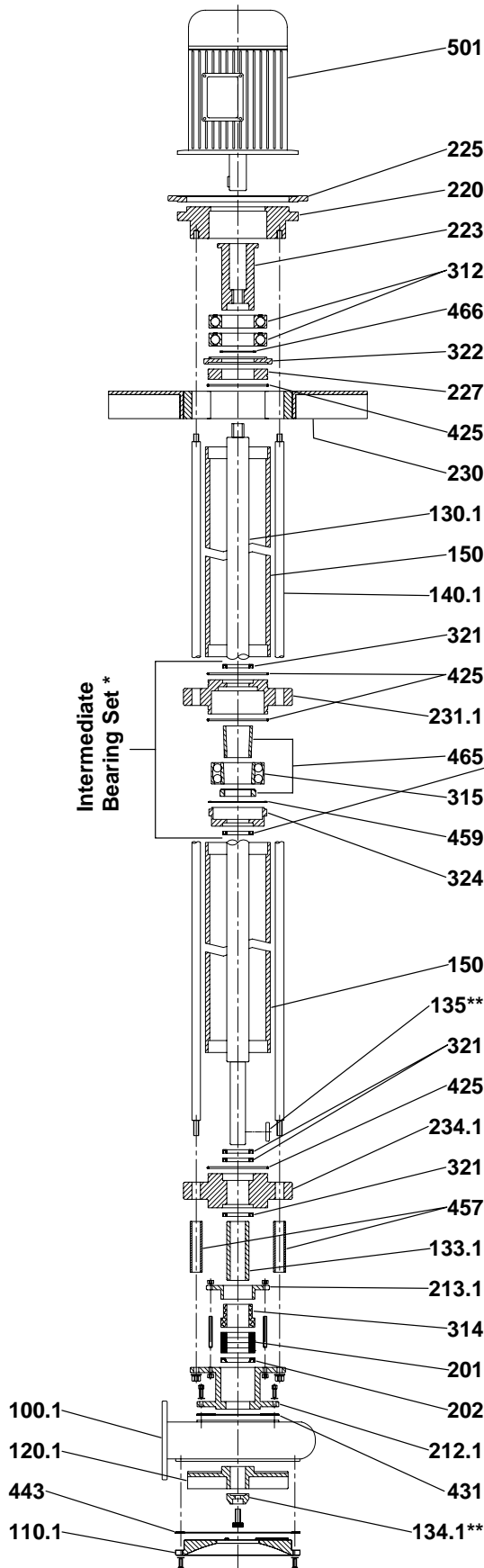


Parts List

D&E-T002-PL-0

Type KS-VSP	Model VSP 2, 3 & 4	Parts List No. PL0008 (Page 1/2)	Revision No. 3
-----------------------	----------------------------------	--	--------------------------

1m and 2m Pump Length



Part No.	Designation	Material
501	Flange-Mounted Motor	—
225	Motor Adaptor Extension Ring	Cast Iron
220	Frame Adaptor	Cast Iron
223	Motor Shaft Adaptor	Cast Iron
312	Drive End Bearing	Steel
466	Drive End Bearing Cir Clip	Steel
322	Drive End Bearing Cover	Cast Iron
227	Column Pipe Adaptor	Cast Iron
425	Column Pipe "O" Ring	Synthetic Rubber
230	Holding Bracket	Cast Iron
130.1	Column Shaft	Stainless Steel 304
150	Column Pipe	Stainless Steel 304
140.1	Supporting Shaft	Stainless Steel 304
321	Oil Seal	Synthetic Rubber
231.1	Intermediate Bearing Bracket	Stainless Steel 304
465	Bearing Adaptor	Steel
315	Intermediate Bearing	Steel
459	Intermediate Bearing Cover Gasket	Oil Proof Paper
324	Intermediate Bearing Cover	Cast Iron
135**	Key for Impeller	Stainless Steel 304
234.1	Column Pipe End Cover	Stainless Steel 304
457	Spacer Pipe	Stainless Steel 304
133.1	Shaft Sleeve	Stainless Steel 304
213.1	Gland	Stainless Steel 304
314	Pump End Bushing	Bronze / ALI2S
201	Packing	Teflon
202	V-Seal	Synthetic Rubber
212.1	Stuffing Box Cover	Stainless Steel 304
431	Stuffing Box Cover Gasket	Asbestos Sheet
134.1**	Impeller Hub Cap	Stainless Steel 304
100.1	Casing	Stainless Steel 304
120.1	Impeller	Stainless Steel 304
443	Suction Door Gasket	Asbestos Sheet
110.1	Suction Door	Stainless Steel 304

* Intermediate Bearing Set only available in 2m pump length

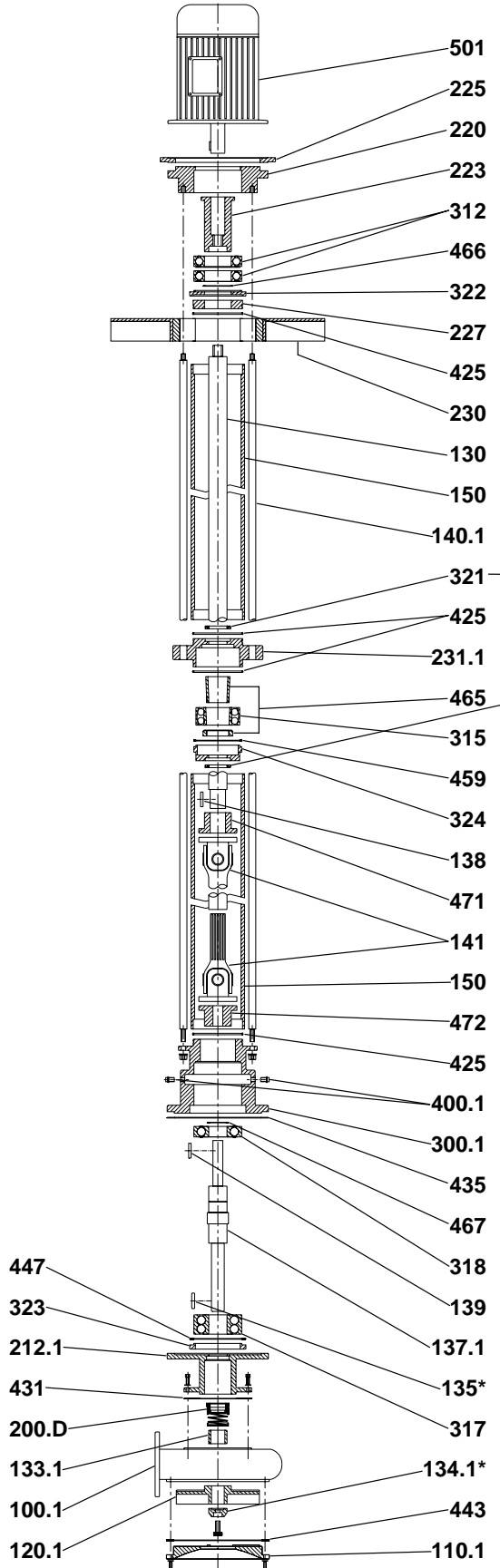
** Only available for models VSP 3 and 4

Parts List

D&E-T002-PL-0

Type KS-VSP	Model VSP 2, 3 & 4	Parts List No. PL0008 (Page 2/2)	Revision No. 3
-----------------------	----------------------------------	--	--------------------------

3m and 4m Pump Length



Part No.	Designation	Material
501	Flange-Mounted Motor	—
225	Motor Adaptor Extension Ring	Cast Iron
220	Frame Adaptor	Cast Iron
223	Motor Shaft Adaptor	Cast Iron
312	Drive End Bearing	Steel
466	Drive End Bearing Cir Clip	Steel
322	Drive End Bearing Cover	Cast Iron
227	Column Pipe Adaptor	Cast Iron
425	Column Pipe "O" Ring	Synthetic Rubber
230	Holding Bracket	Cast Iron
130	Column Shaft	Stainless Steel 304
150	Column Pipe	Stainless Steel 304
140.1	Supporting Shaft	Stainless Steel 304
321	Oil Seal	Synthetic Rubber
231.1	Intermediate Bearing Bracket	Stainless Steel 304
465	Bearing Adaptor	Steel
315	Intermediate Bearing	Steel
459	Intermediate Bearing Cover Gasket	Oil Proof Paper
324	Intermediate Bearing Cover	Cast Iron
138	Column Shaft End Key	Stainless Steel 304
471	Coupling Column Shaft Half	Cast Iron
141	Universal Drive Shaft	Steel
472	Coupling Pump Shaft Half	Cast Iron
400.1	Bearing Frame Drain Plug	Stainless Steel 304
300.1	Bearing Frame	Stainless Steel 304
435	Bearing Frame Gasket	Asbestos Sheet
467	Pump End Bearing Cir Clip	Steel
318	Pump End Upper Bearing	Steel
139	Pump Shaft End Key	Stainless Steel 304
137.1	Pump Shaft	Stainless Steel 304
135*	Key for Impeller	Stainless Steel 304
317	Pump End Lower Bearing	Steel
134.1*	Impeller Hub Cab	Stainless Steel 304
443	Suction Door Gasket	Asbestos Sheet
110.1	Suction Door	Stainless Steel 304
447	Pump End Bearing Cover Gasket	Oil Proof Paper
323	Pump End Bearing Cover	Cast Iron
212.1	Stuffing Box Cover	Stainless Steel 304
431	Stuffing Box Cover Gasket	Asbestos Sheet
200.D	Mechanical Seal	SiC vs. SiC
133.1	Shaft Sleeve	Stainless Steel 304
100.1	Casing	Stainless Steel 304
120.1	Impeller	Stainless Steel 304

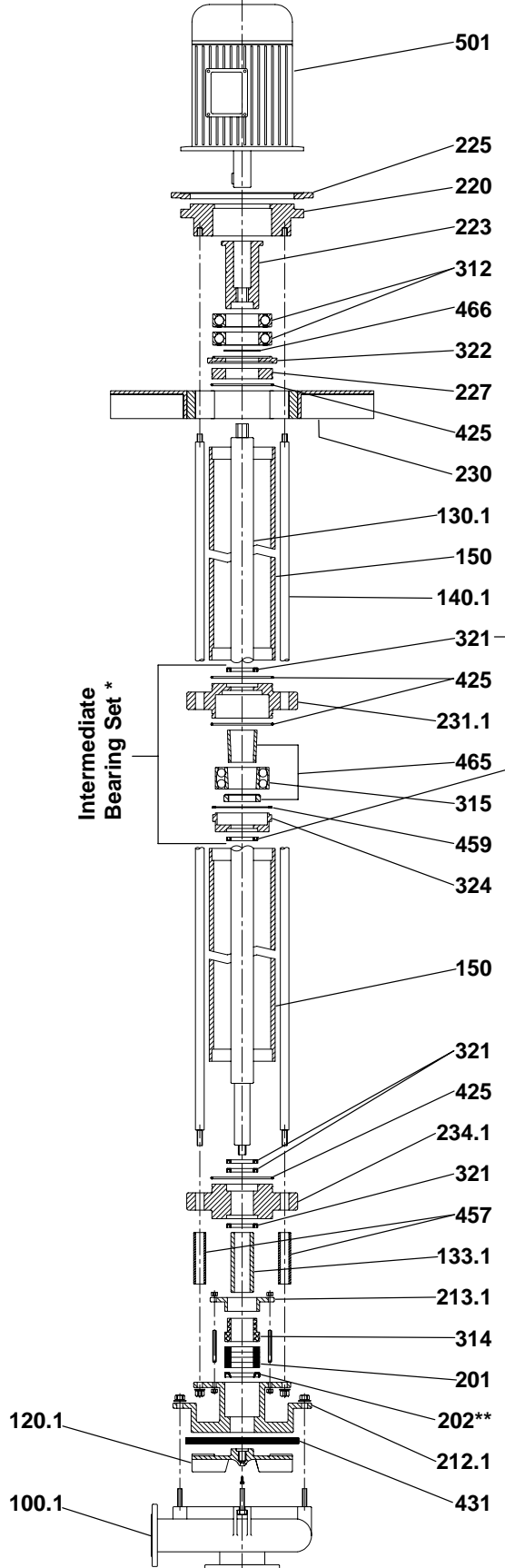
* Only available for models VSP 3 and 4

Parts List

D&E-T002-PL-0

Type	Model	Parts List No.	Revision No.
KS-VSP	VSP 40, 40H, 50, 50H, 80, 80H & 100	PL0007 (Page 1/2)	4

1m and 2m Pump Length



Part No.	Designation	Material
501	Flange-Mounted Motor	-
225	Motor Adaptor Extension Ring	Cast Iron
220	Frame Adaptor	Cast Iron
223	Motor Shaft Adaptor	Cast Iron
312	Drive End Bearing	Steel
466	Drive End Bearing Cir Clip	Steel
322	Drive End Bearing Cover	Cast Iron
227	Column Pipe Adaptor	Cast Iron
425	Column Pipe "O" Ring	Synthetic Rubber
230	Holding Bracket	Cast Iron
130.1	Column Shaft	Stainless Steel 304
150	Column Pipe	Stainless Steel 304
140.1	Supporting Shaft	Stainless Steel 304
321	Oil Seal	Synthetic Rubber
231.1	Intermediate Bearing Bracket	Stainless Steel 304
465	Bearing Adaptor	Steel
315	Intermediate Bearing	Steel
459	Intermediate Bearing Cover Gasket	Oil Proof Paper
324	Intermediate Bearing Cover	Cast Iron
234.1	Column Pipe End Cover	Stainless Steel 304
457	Spacer Pipe	Stainless Steel 304
133.1	Shaft Sleeve	Stainless Steel 304
213.1	Gland	Stainless Steel 304
314	Pump End Bushing	Bronze / ALI2S
201	Packing	Teflon
202**	V-Seal	Synthetic Rubber
212.1	Stuffing Box Cover	Stainless Steel 304
431	Stuffing Box Cover Gasket	Asbestos Sheet
120.1	Impeller	Stainless Steel 304
100.1	Casing	Stainless Steel 304

* Intermediate Bearing Set only available in 2m pump length

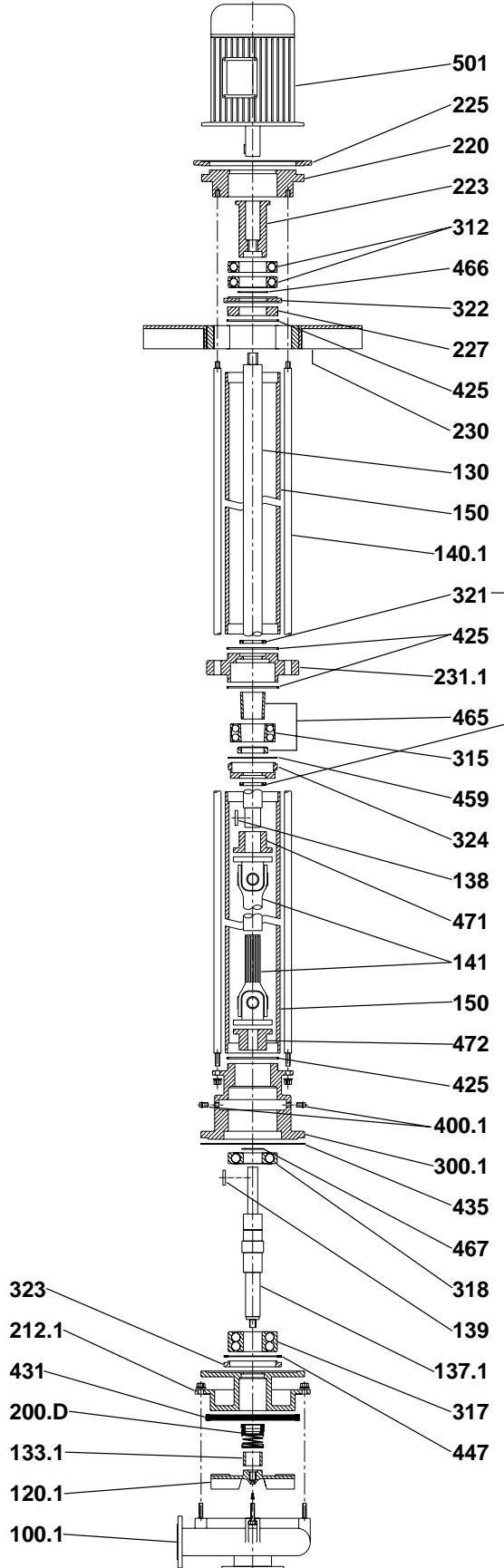
** Not available for models VSP 50H and 80H

Parts List

D&E-T002-PL-0

Type KS-VSP	Model VSP 40, 40H, 50, 50H, 80, 80H & 100	Parts List No. PL0007 (Page 2/2)	Revision No. 4
-----------------------	---	--	--------------------------

3m and 4m Pump Length



Part No.	Designation	Material
501	Flange-Mounted Motor	—
225	Motor Adaptor Extension Ring	Cast Iron
220	Frame Adaptor	Cast Iron
223	Motor Shaft Adaptor	Cast Iron
312	Drive End Bearing	Steel
466	Drive End Bearing Cir Clip	Steel
322	Drive End Bearing Cover	Cast Iron
227	Column Pipe Adaptor	Cast Iron
425	Column Pipe "O" Ring	Synthetic Rubber
230	Holding Bracket	Cast Iron
130	Column Shaft	Stainless Steel 304
150	Column Pipe	Stainless Steel 304
140.1	Supporting Shaft	Stainless Steel 304
321	Oil Seal	Synthetic Rubber
231.1	Intermediate Bearing Bracket	Stainless Steel 304
465	Bearing Adaptor	Steel
315	Intermediate Bearing	Steel
459	Intermediate Bearing Cover Gasket	Oil Proof Paper
324	Intermediate Bearing Cover	Cast Iron
138	Column Shaft End Key	Stainless Steel 304
471	Coupling Column Shaft Half	Cast Iron
141	Universal Drive Shaft	Steel
472	Coupling Pump Shaft Half	Cast Iron
400.1	Bearing Frame Drain Plug	Stainless Steel 304
300.1	Bearing Frame	Stainless Steel 304
435	Bearing Frame Gasket	Asbestos Sheet
467	Pump End Bearing Cir Clip	Steel
318	Pump End Upper Bearing	Steel
139	Pump Shaft End Key	Stainless Steel 304
137.1	Pump Shaft	Stainless Steel 304
317	Pump End Lower Bearing	Steel
447	Pump End Bearing Cover Gasket	Oil Proof Paper
323	Pump End Bearing Cover	Cast Iron
212.1	Stuffing Box Cover	Stainless Steel 304
431	Stuffing Box Cover Gasket	Asbestos Sheet
200.D	Mechanical Seal	SiC vs. SiC
133.1	Shaft Sleeve	Stainless Steel 304
120.1	Impeller	Stainless Steel 304
100.1	Casing	Stainless Steel 304