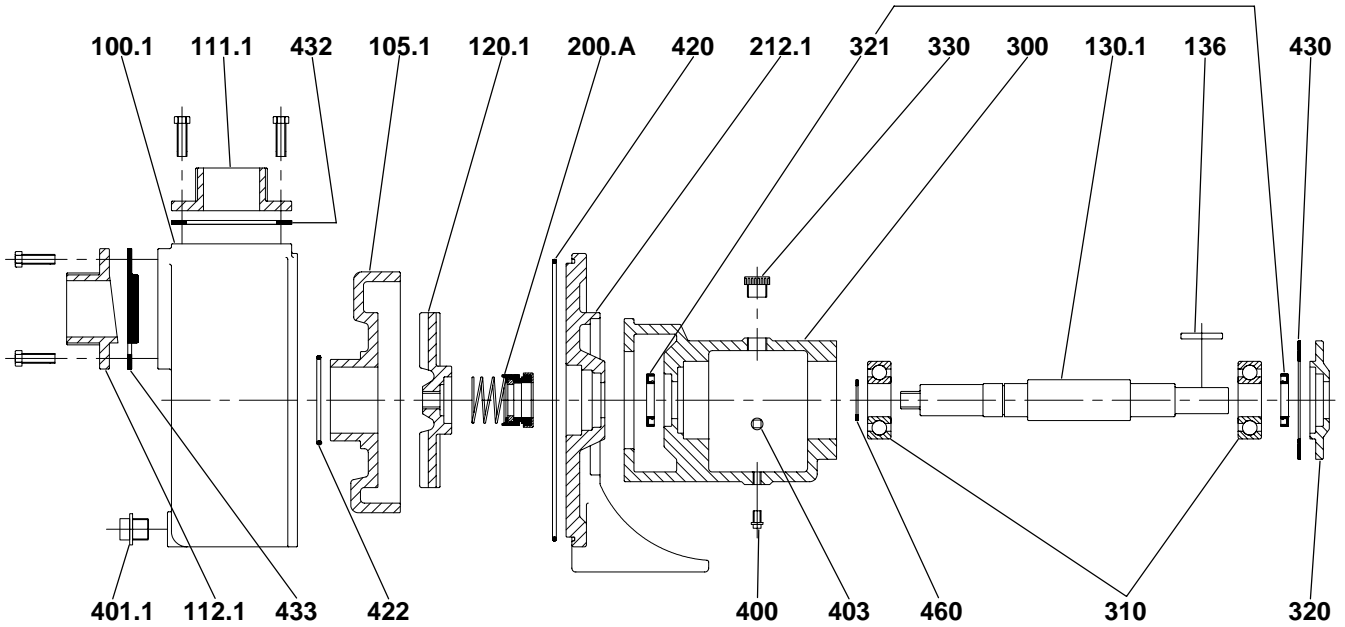


Parts List

D&E-T002-PL-0

Type KS-SP	Model SP 2 & SP 3	Parts List No. PL0023	Revision No. 1
----------------------	---------------------------------	---------------------------------	--------------------------

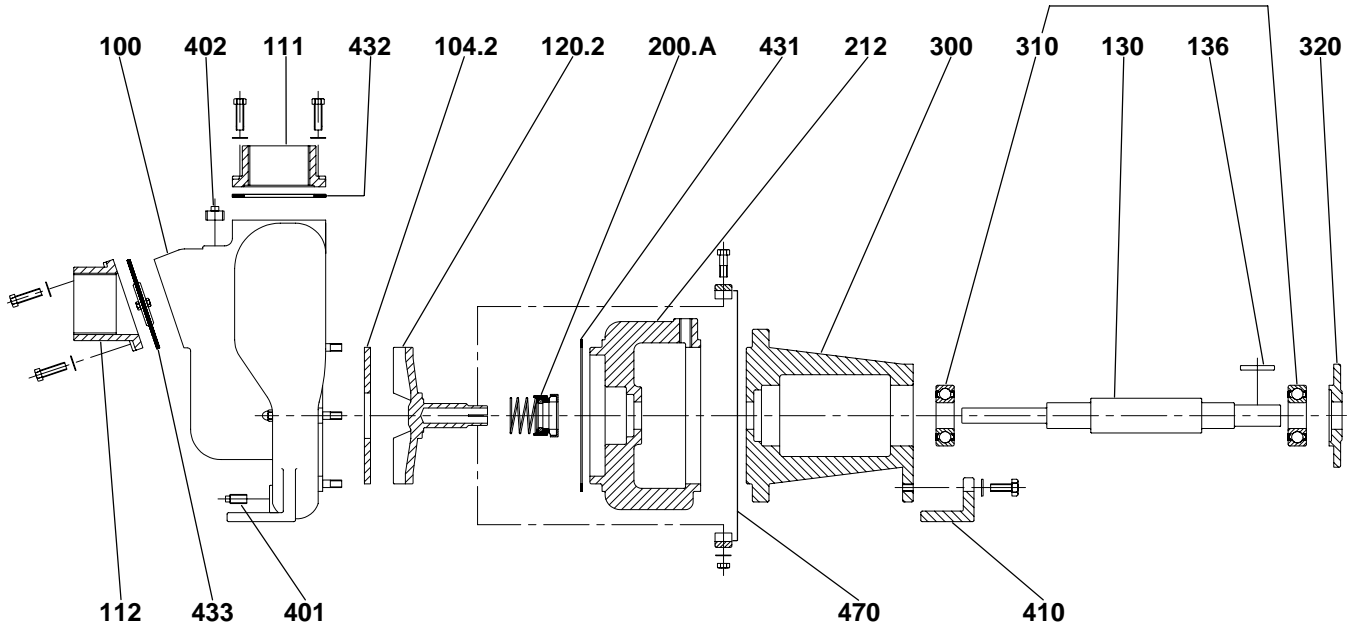


Part No.	Designation	Qty.	Material
100.1	Pump Casing	1	Stainless Steel 304
111.1	Discharge Flange	1	Stainless Steel 304
432	Discharge Flange Packing	1	Synthetic Rubber
105.1	Volute Casing	1	Stainless Steel 304
120.1	Impeller	1	Stainless Steel 304
200.A	Mechanical Seal	1	Carbon vs. Ceramic
420	Stuffing Box Cover "O" Ring	1	Synthetic Rubber
212.1	Stuffing Box Cover	1	Stainless Steel 304
321	Oil Seal	2	Synthetic Rubber
330	Oil Cover	1	Aluminium Alloy
300	Bearing Frame	1	Cast Iron
130.1	Shaft	1	Stainless Steel 304
136	Shaft End Key	1	Stainless Steel 304
430	Bearing Cover Gasket	1	Oil Proof Paper
320	Bearing Cover	1	Cast Iron
310	Bearing	2	Steel
460	Cir Clip	1	Steel
403	Oil Level Plug	1	Galvanise Steel
400	Bearing Frame Drain Plug	1	Galvanise Steel
422	Volute Casing "O" Ring	1	Synthetic Rubber
433	Suction Check Valve	1	Synthetic Rubber
112.1	Suction Flange	1	Stainless Steel 304
401.1	Pump Casing Drain Plug	1	Stainless Steel 304

Parts List

D&E-T002-PL-0

Type KS-SP	Model SP 50 & SP 80	Parts List No. PL0024	Revision No. 1
----------------------	-----------------------------------	---------------------------------	--------------------------



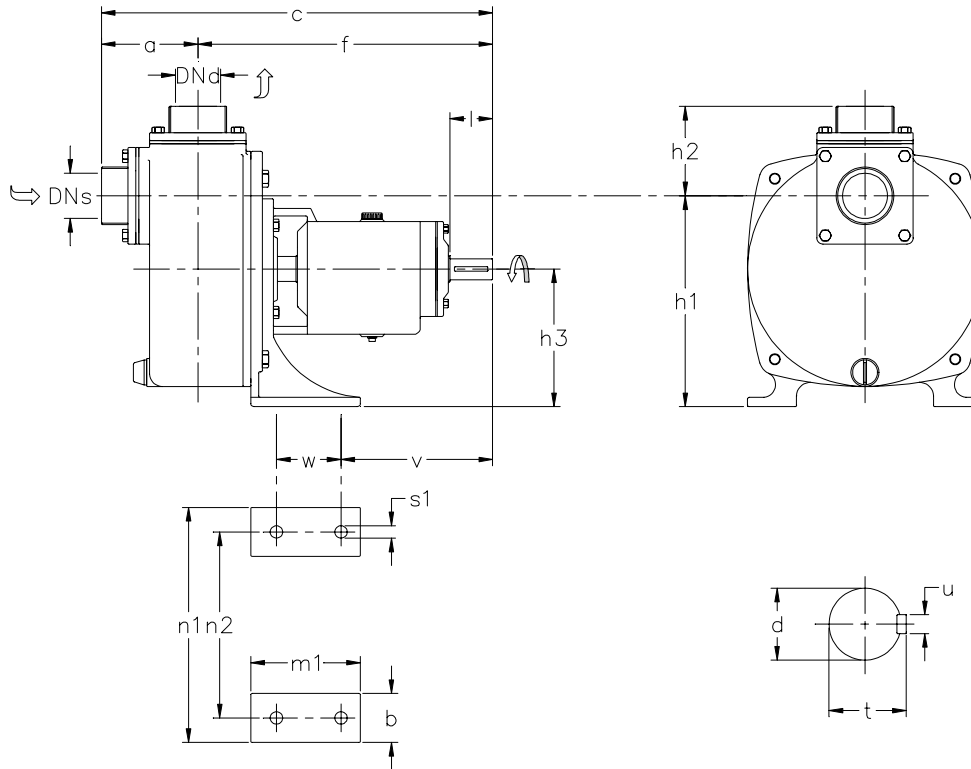
Part No.	Designation	Qty.	Material
100	Casing	1	Stainless Steel 316
402 *	Venting Plug	1	Stainless Steel 304
111	Discharge Flange	1	Stainless Steel 316
432	Discharge Flange Packing	1	Synthetic Rubber
104.2	Casing Wear Plate	1	Stainless Steel 316
120.2	Impeller	1	Stainless Steel 316
200.A	Mechanical Seal	1	Carbon vs. Ceramic
431	Stuffing Box Cover Gasket	1	Asbestos Sheet
212	Stuffing Box Cover	1	Stainless Steel 316
300	Bearing Frame	1	Cast Iron
310	Bearing	2	Steel
130	Shaft	1	Stainless Steel 304
136	Shaft End Key	1	Stainless Steel 304
320	Bearing Cover	1	Cast Iron
410	Support Foot	1	Cast Iron
470	Clamp	1	Stainless Steel 316
401	Casing Drain Plug	1	Stainless Steel 304
433	Suction Check Valve	1	Synthetic Rubber
112	Suction Flange	1	Stainless Steel 316

* Only for model SP 80

General Dimensions

D&E-T008-GD-0

Type KS-SP	Model SP 2 & SP 3	General Dimensions No. GD0015	Revision No. 0
----------------------	---------------------------------	-----------------------------------------	--------------------------



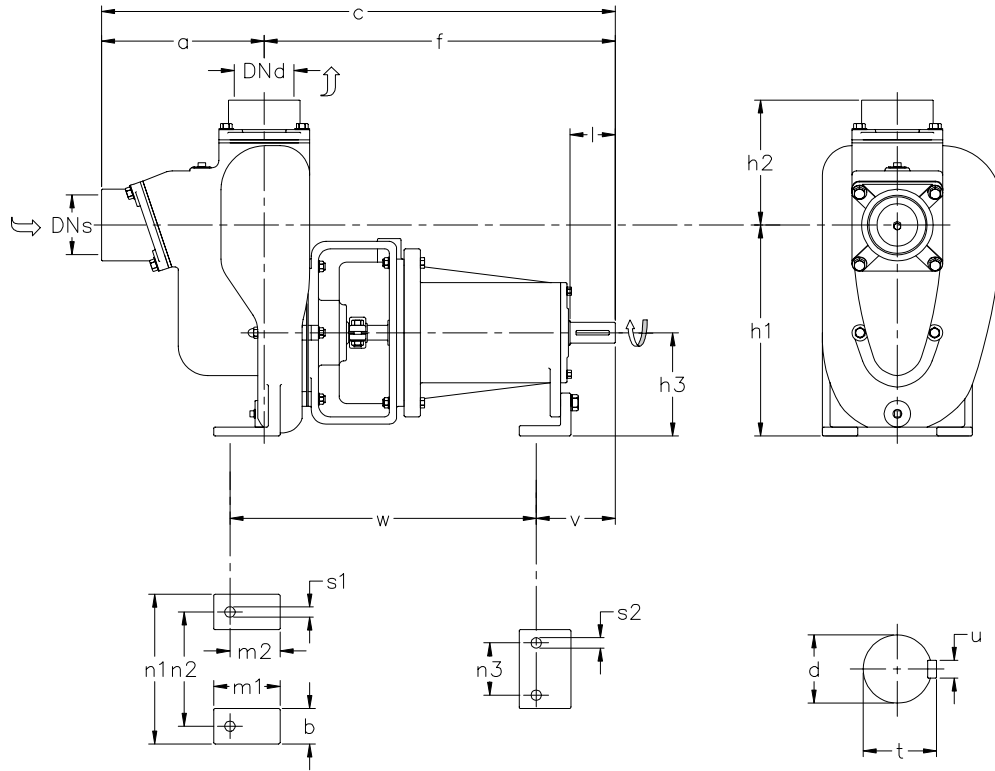
Dimensions in mm

PUMP MODEL	Flanges		Pump Dimensions						Foot Dimensions						Shaft End				
	DN _d	DN _s	a	f	c	h ₁	h ₂	h ₃	b	m ₁	n ₁	n ₂	s ₁	v	w	d	l	t	u
SP 2	50	50	110	308	418	210	95	132	48	132	225	175	10	142	80	24	46	27.2	6.35
SP 3	80	80	126	320	446	220	115	145	48	132	240	200	14	142	80	24	46	27.2	6.35

General Dimensions

D&E-T008-GD-0

Type KS-SP	Model SP 50 & SP 80	General Dimensions No. GD0016	Revision No. 0
----------------------	-----------------------------------	-----------------------------------------	--------------------------



Dimensions in mm

PUMP MODEL	Flanges		Pump Dimensions						Foot Dimensions								Shaft End					
	DN _d	DN _s	a	f	c	h ₁	h ₂	h ₃	b	m ₁	m ₂	n ₁	n ₂	n ₃	s ₁	s ₂	v	w	d	l	t	u
SP 50	50	50	150	324	474	232	94	105	34	40	26	160	130	110	11	14	94	270	28	58	32	8
SP 80	80	80	218	364	582	268	176	122	50	44	26	232	192	110	11	14	94	278	28	58	32	8