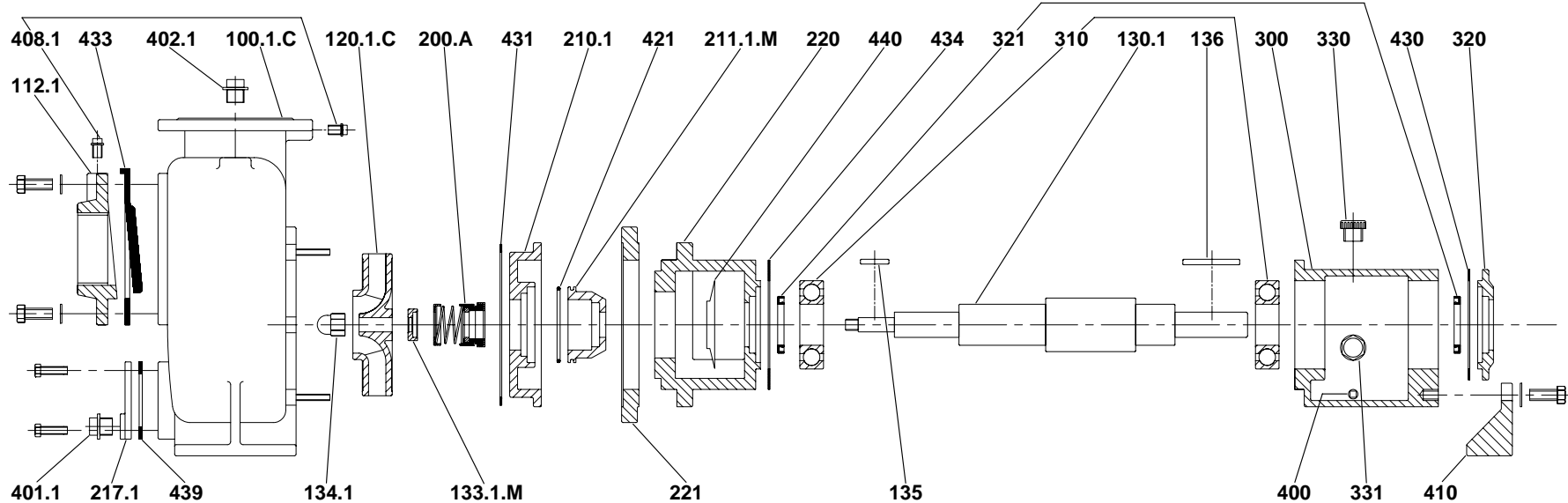


Parts List

D&E-T002-PL-0

Type KS-SPR	Model ALL	Parts List No. PL0025	Revision No. 1
------------------------------	----------------------------	--	---------------------------------



Part No.	Designation	Qty.	Material
100.1.C	Casing for Closed Impeller	1	Stainless Steel 304
120.1.C	Closed Impeller	1	Stainless Steel 304
200.A	Mechanical Seal	1	Carbon vs. Ceramic
431	Casing Cover Gasket	1	Asbestos Sheet
210.1	Casing Cover	1	Stainless Steel 304
421	Sealing Chamber "O" Ring	1	Synthetic Rubber
211.1.M	Sealing Chamber for Mechanical Sealing	1	Stainless Steel 304
220	Frame Adaptor	1	Cast Iron
440	Deflector	1	Synthetic Rubber
434	Frame Adaptor Gasket	1	Oil Proof Paper
321	Oil Seal	2	Synthetic Rubber
310	Bearing	2	Steel
130.1	Shaft	1	Stainless Steel 304
136	Shaft End Key	1	Stainless Steel 304
300	Bearing Frame	1	Cast Iron
330	Oil Cover	1	Alumimium Alloy

Part No.	Designation	Qty.	Material
430	Bearing Cover Gasket	1	Oil Proof Paper
320	Bearing Cover	1	Cast Iron
410	Support Foot	1	Cast Iron
331	Oil Gauge	1	Plastic Threaded
400	Bearing Frame Drain Plug	1	Galvanise Steel
135	Key for Impeller	1	Stainless Steel 304
221	Adaptor Extension Ring	1	Cast Iron
133.1.M	Shaft Sleeve for Mechanical Sealing	1	Stainless Steel 304
134.1	Impeller Nut	1	Stainless Steel 304
439	Casing Drain Cover Gasket	1	Synthetic Rubber
217.1	Casing Drain Cover	1	Stainless Steel 304
401.1	Casing Drain Plug	1	Stainless Steel 304
112.1	Suction Flange	1	Stainless Steel 304
408.1	Gauge Tapping Plug	2	Stainless Steel 304
433	Suction Check Valve	1	Synthetic Rubber
402.1	Venting Plug	1	Stainless Steel 304