

# Parts List

D&E-T002-PL-0

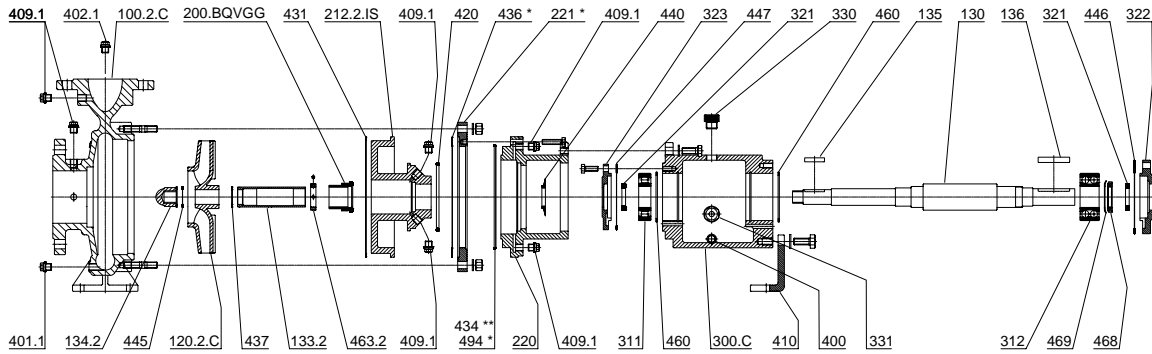
Type  
**KS-SG2**

Model  
**ALL**

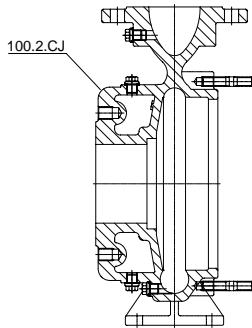
Parts List No.  
**PL0004 (Page 1/2)**

Revision No.  
**6**

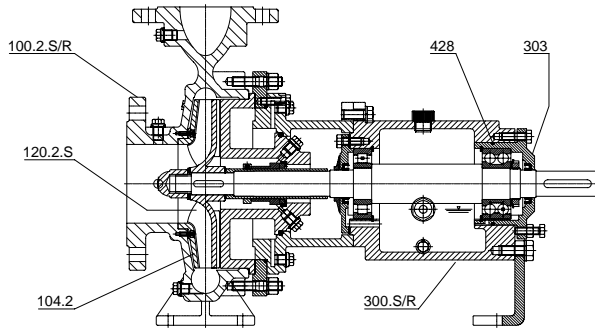
## Standard Arrangement



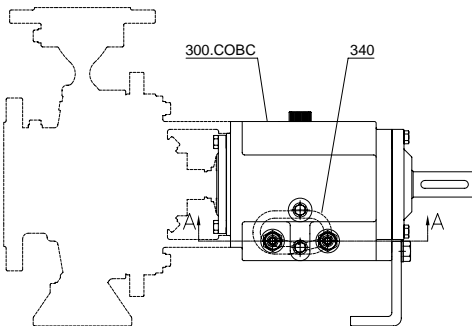
## Design Variants



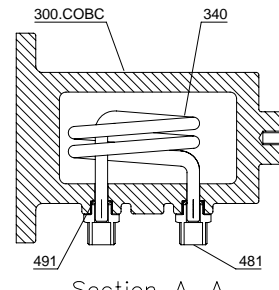
Casing with Heating Chamber



Open Type Impeller with Casing Wear Plate and Axial Adjustment

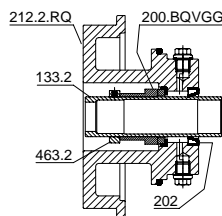


Bearing Frame with Oil Bath Cooling

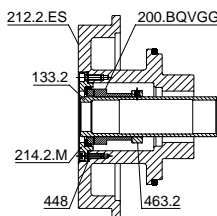


Section A-A

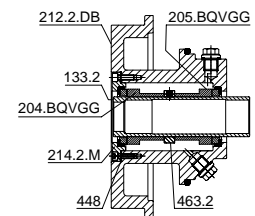
## Shaft Seal Options



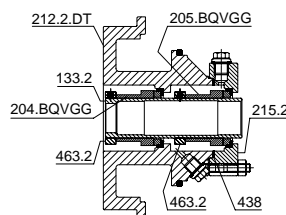
Single Internal with Rear Quenching



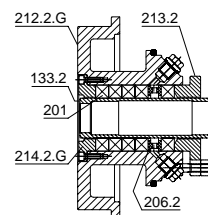
Single External



Double Back-to-Back



Double Tandem



Gland Packing

# Parts List

D&E-T002-PL-0

<b>Type</b> <b>KS-SG2</b>	<b>Model</b> <b>ALL</b>	<b>Parts List No.</b> <b>PL0004 (Page 2/2)</b>	<b>Revision No.</b> <b>6</b>
------------------------------	----------------------------	---	---------------------------------

Part No.	Description	Standard Material
100.2.C	Casing for Closed Impeller	Stainless Steel 316
100.2.CJ	Casing for Closed Impeller with Heating Chamber	Stainless Steel 316
100.2.S/R	Casing for Open Type Impeller	Stainless Steel 316
100.2.S/RJ	Casing for Open Type Impeller with Heating Chamber	Stainless Steel 316
104.2	Casing Wear Plate	Stainless Steel 316
120.2.C	Closed Impeller	Stainless Steel 316
120.2.S	Semi-Open Impeller	Stainless Steel 316
120.2.R	Fully-Open Impeller	Stainless Steel 316
130	Shaft	Stainless Steel 304
133.2	Shaft Sleeve	Stainless Steel 316
134.2	Impeller Nut	Stainless Steel 316
135	Key for Impeller	Stainless Steel 304
136	Shaft End Key	Stainless Steel 304
200.BQVGG	Mechanical Seal	Carbon vs. Silicon Carbide
201	Packing	P.T.F.E.
202	V-Seal	Synthetic Rubber
204.BQVGG	Pump End Mechanical Seal	Carbon vs. Silicon Carbide
205.BQVGG	Atmospheric End Mechanical Seal	Carbon vs. Silicon Carbide
206.2	Lantern Ring	Stainless Steel 316
212.2.IS	Stuffing Box Cover for Single Internal	Stainless Steel 316
212.2.RQ	Stuffing Box Cover for Single Internal with Rear Quenching	Stainless Steel 316
212.2.ES	Stuffing Box Cover for Single External	Stainless Steel 316
212.2.DB	Stuffing Box Cover for Double Back-to-Back	Stainless Steel 316
212.2.DT	Stuffing Box Cover for Double Tandem	Stainless Steel 316
212.2.G	Stuffing Box Cover for Gland Packing	Stainless Steel 316
213.2	Gland	Stainless Steel 316
214.2.M	End Ring for Mechanical Sealing	Stainless Steel 316
214.2.G	End Ring for Gland Packing	Stainless Steel 316
215.2	Seal Cover	Stainless Steel 316

Part No.	Description	Standard Material
220	Frame Adaptor	Cast Iron
221 *	Adaptor Extension Ring	Cast Iron
300.C	Bearing Frame for Closed Impeller	Cast Iron
300.COBC	Bearing Frame for Closed Impeller with Oil Bath Cooling	Cast Iron
300.S/R	Bearing Frame for Open Type Impeller	Cast Iron
300.S/ROBC	Bearing Frame for Open Type Impeller with Oil Bath Cooling	Cast Iron
303	Adjustable Bearing Box	Cast Iron
311	Pump End Bearing	Steel
312	Drive End Bearing	Steel
321	Oil Seal	Synthetic Rubber
322	Drive End Bearing Cover	Cast Iron
323	Pump End Bearing Cover	Cast Iron
330	Oil Cover	Aluminium Alloy
331	Oil Gauge	Plastic Threaded
340	Bearing Frame Cooling Coil	Copper
400	Bearing Frame Drain Plug	Stainless Steel 304
401.1	Casing Drain Plug	Stainless Steel 304
402.1	Venting Plug	Stainless Steel 304
409.1	Connection Plug	Stainless Steel 304
410	Support Foot	Cast Iron
420	Stuffing Box Cover "O" Ring	Synthetic Rubber
428	Bearing Box "O" Ring	Synthetic Rubber
431	Stuffing Box Cover Gasket	P.T.F.E.
434 **	Frame Adaptor Gasket	Asbestos Sheet
436 *	Adaptor Extension Ring Gasket	Asbestos Sheet
437	Shaft Sleeve Gasket	P.T.F.E.
438	Seal Cover Gasket	P.T.F.E.
440	Deflector	Synthetic Rubber
445	Impeller Nut Gasket	P.T.F.E.
446	Drive End Bearing Cover Gasket	Oil Proof Paper
447	Pump End Bearing Cover Gasket	Oil Proof Paper
448	End Ring Gasket	P.T.F.E.
460	Cir Clip	Steel
463.2	Abutment Ring	Stainless Steel 316
468	Bearing Nut	Steel
469	Bearing Washer	Steel
481	Cooling Coil Adaptor	Stainless Steel 304
491	Cooling Coil "O" Ring	Synthetic Rubber
494 *	Frame Adaptor "O" Ring	Synthetic Rubber

\* For all models except 32-130, 40-130, 50-130, 65-130, 65-160, 80-160, 100-260, 125-260, 125-320, 125-400, 150-200, 150-260 and 150-320

\*\* For models 32-130, 40-130, 50-130, 65-130, 65-160, 80-160, 100-260, 125-260, 125-320, 125-400, 150-200, 150-260 and 150-320