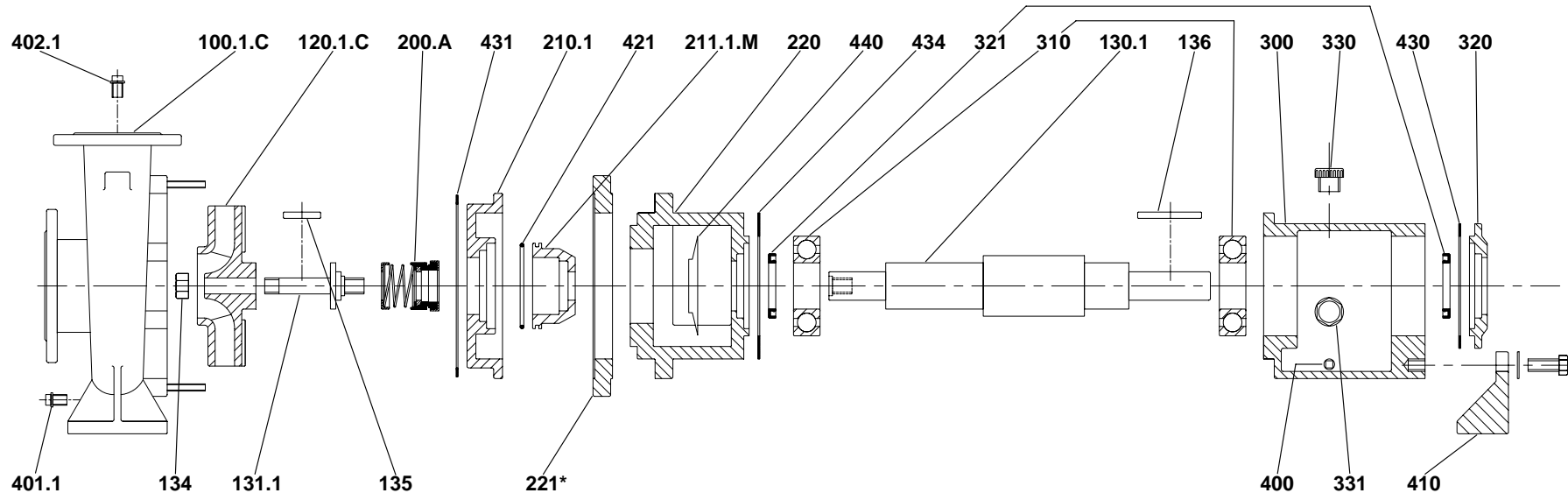


Parts List

D&E-T002-PL-0

Type KS-SD	Model Centreline Discharge	Parts List No. PL0026	Revision No. 1
----------------------	--------------------------------------	---------------------------------	--------------------------



Part No.	Designation	Qty.	Material
100.1.C	Casing for Closed Impeller	1	Stainless Steel 304
120.1.C	Closed Impeller	1	Stainless Steel 304
200.A	Mechanical Seal	1	Carbon vs. Ceramic
431	Casing Cover Gasket	1	Asbestos Sheet
210.1	Casing Cover	1	Stainless Steel 304
421	Sealing Chamber "O" Ring	1	Synthetic Rubber
211.1.M	Sealing Chamber for Mechanical Seal	1	Stainless Steel 304
220	Frame Adaptor	1	Cast Iron
440	Deflector	1	Synthetic Rubber
434	Frame Adaptor Gasket	1	Oil Proof Paper
321	Oil Seal	2	Synthetic Rubber
310	Bearing	2	Steel
130.1	Shaft	1	Stainless Steel 304

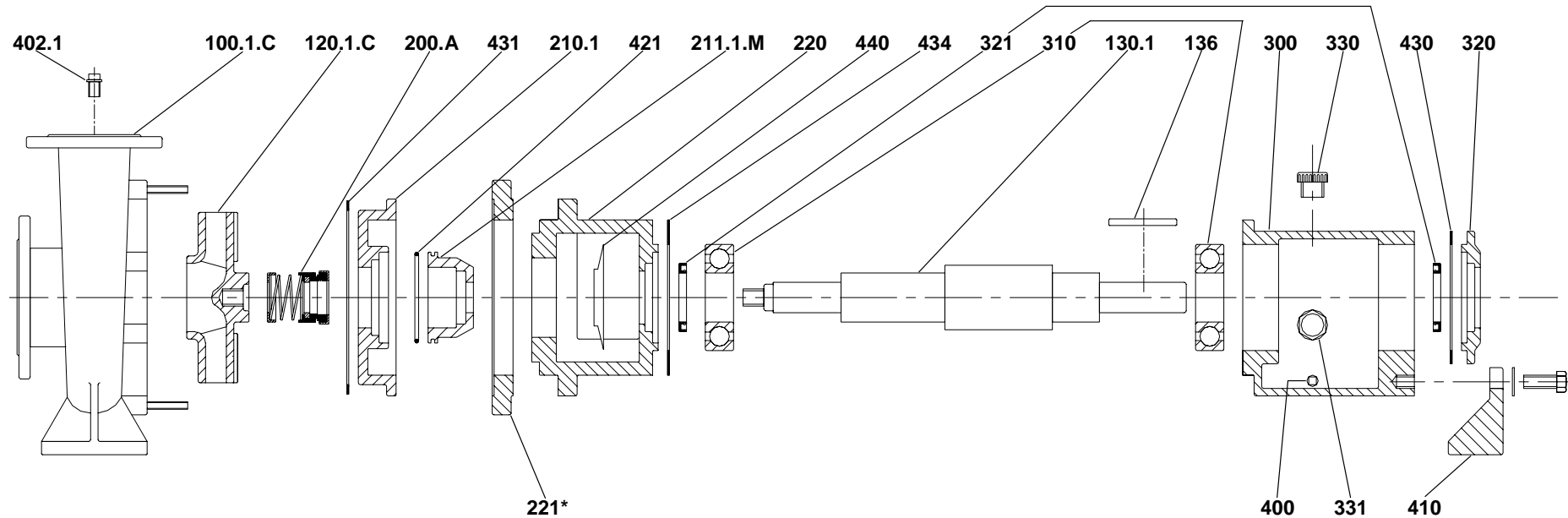
Part No.	Designation	Qty.	Material
136	Shaft End Key	1	Stainless Steel 304
300	Bearing Frame	1	Cast Iron
330	Oil Cover	1	Aluminium Alloy
430	Bearing Cover Gasket	1	Oil Proof Paper
320	Bearing Cover	1	Cast Iron
410	Support Foot	1	Cast Iron
331	Oil Gauge	1	Plastic Threaded
400	Bearing Frame Drain Plug	1	Galvanise Steel
221*	Adaptor Extension Ring	1	Cast Iron
135	Key for Impeller	1	Stainless Steel 304
131.1	Impeller Stub	1	Stainless Steel 304
134	Impeller Nut	1	Stainless Steel 304
401.1	Casing Drain Plug	1	Stainless Steel 304
402.1	Venting Plug	1	Stainless Steel 304

* For impeller sizes 200mm and above

Parts List

D&E-T002-PL-0

Type KS-SD	Model Tangential Discharge	Parts List No. PL0027	Revision No. 1
----------------------	--------------------------------------	---------------------------------	--------------------------



Part No.	Designation	Qty.	Material
100.1.C	Casing for Closed Impeller	1	Stainless Steel 304
120.1.C	Closed Impeller	1	Stainless Steel 304
200.A	Mechanical Seal	1	Carbon vs. Ceramic
431	Casing Cover Gasket	1	Asbestos Sheet
210.1	Casing Cover	1	Stainless Steel 304
421	Sealing Chamber "O" Ring	1	Synthetic Rubber
211.1.M	Sealing Chamber for Mechanical Sealing	1	Stainless Steel 304
220	Frame Adaptor	1	Cast Iron
440	Deflector	1	Synthetic Rubber
434	Frame Adaptor Gasket	1	Oil Proof Paper
321	Oil Seal	2	Synthetic Rubber

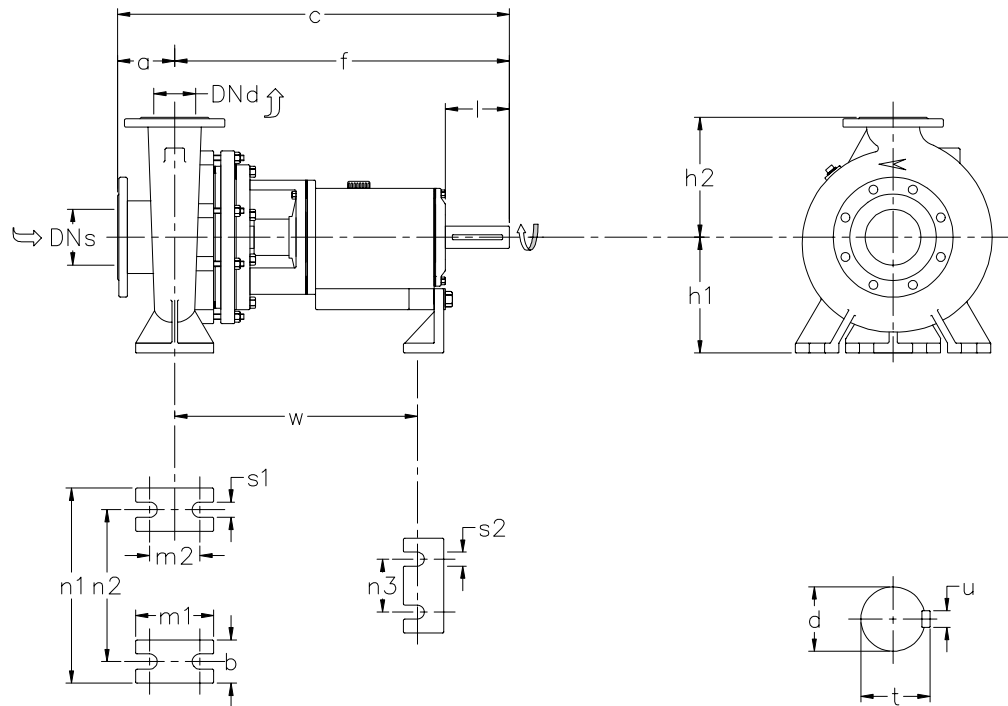
Part No.	Designation	Qty.	Material
310	Bearing	2	Steel
130.1	Shaft	1	Stainless Steel 304
136	Shaft End Key	1	Stainless Steel 304
300	Bearing Frame	1	Cast Iron
330	Oil Cover	1	Aluminium Alloy
430	Bearing Cover Gasket	1	Oil Proof Paper
320	Bearing Cover	1	Cast Iron
410	Support Foot	1	Cast Iron
331	Oil Gauge	1	Plastic Threaded
400	Bearing Frame Drain Plug	1	Galvanise Steel
221*	Adaptor Extension Ring	1	Cast Iron
402.1	Venting Plug	1	Stainless Steel 304

* For impeller sizes 200mm and above

General Dimensions

D&E-T008-GD-0

Type KS-SD	Model Centreline Discharge	General Dimensions No. GD0018	Revision No. 0
----------------------	--------------------------------------	---	--------------------------



Dimensions in mm

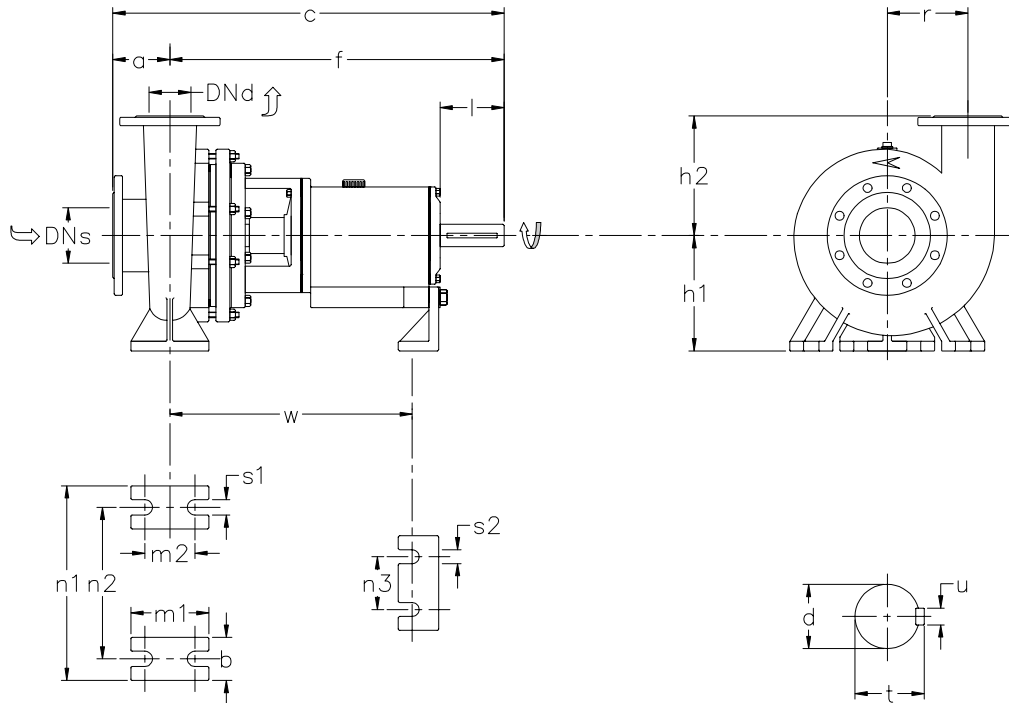
PUMP MODEL	Flanges		Pump Dimensions					Foot Dimensions							Shaft End						
	DNd	DNs	a	f	c	h1	h2	b	m1	m2	n1	n2	n3	s1	s2	w	d	l	t	u	
32-160	32	50	80	425	505	132	160	50	100	70	240	190	110	14	14	300	38	80	42.8	9.5	
32-200						160	180														
32-260			105	435	540	180	225														65
40-160	40	65	80	425	505	132	160	50	100	70	240	190	110	14	14	300	38	80	42.8	9.5	
40-200						100	525														160
40-260			105	435	540	185	225														65
50-160	50	65	100	430	530	160	180	50	100	70	265	212	110	14	14	305	38	80	42.8	9.5	
50-200				425	525		200									300					
50-260			435	535	180	225	65									125					95
65-160	65	80	100	430	530	160	200	65	125	95	280	212	110	14	14	305	38	80	42.8	9.5	
65-200				435	535		180									225					320
65-260			200	250	80	160	120									360					280
80-160	80	100	125	435	560	180	225	65	125	95	320	250	110	14	14	310	38	80	42.8	9.5	
80-215			130	440	570		255									345					280
80-260			435	565	200	280	80									160					120
100-200	100	125	125	435	560	200	280	80	160	120	360	280	110	18	14	310	38	80	42.8	9.5	
100-260			140		575	225					400	315									

Flange dimensions according to ISO2084-PN16 (BS4504-1969 Table 16/11. DIN2501/PN16)

General Dimensions

D&E-T008-GD-0

Type KS-SD	Model Tangential Discharge	General Dimensions No. GD0019	Revision No. 0
----------------------	--------------------------------------	---	--------------------------



Dimensions in mm

PUMP MODEL	Flanges		Pump Dimensions						Foot Dimensions								Shaft End					
	DNd	DNs	a	f	c	h1	h2	r	b	m1	m2	n1	n2	n3	s1	s2	w	d	l	t	u	
50-165	50	65	115	445	560	152	162	96	50	110	70	260	210	110	18	14	320	38	80	42.8	9.5	
50-215			110	440	550	180	189	112	60			315										
50-250			115	455	555	202	212	146	75			330										
80-200	80	90	125	455	580	175	198	115	70	125	85	325	250									

Flange dimensions according to ISO2084-PN16 (BS4504-1969 Table 16/11. DIN2501/PN16)