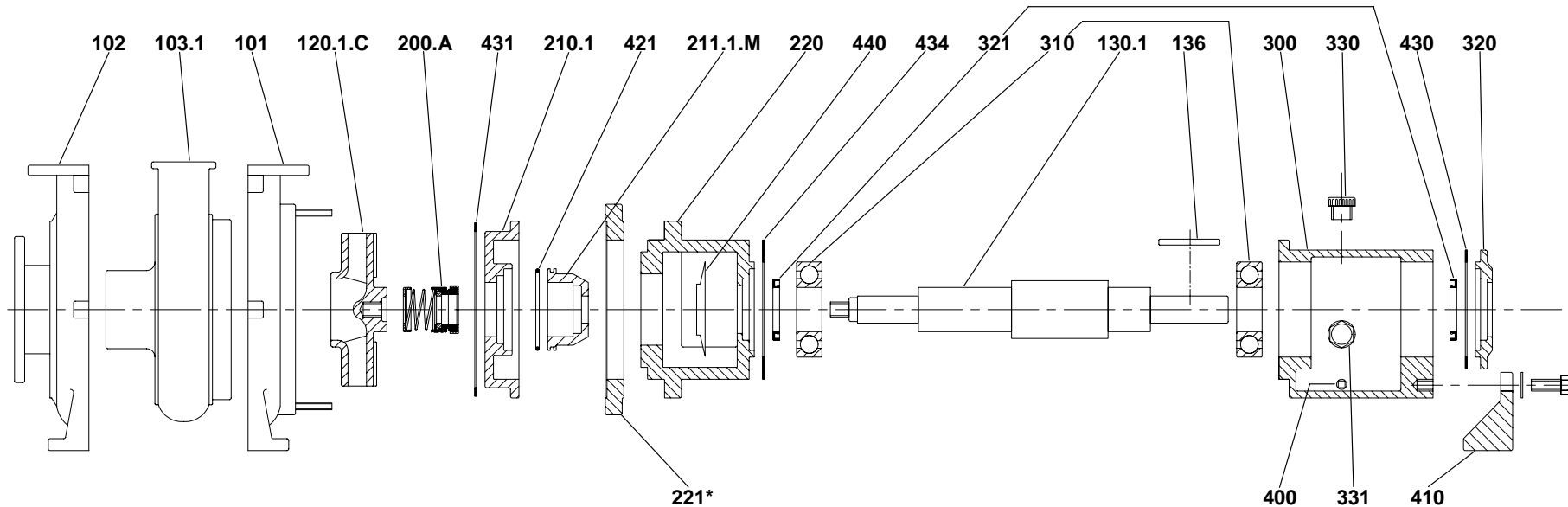


## Parts List

D&E-T002-PL-0

Type <b>KS-SC</b>	Model <b>50-165, 50-215, 50-250 &amp; 80-200</b>	Parts List No. <b>PL0010</b>	Revision No. <b>1</b>
----------------------	---	---------------------------------	--------------------------



Part No.	Designation	Qty.	Material
102	Front Casing	1	Cast Iron
103.1	Volute Liner	1	Stainless Steel 304
101	Back Casing	1	Cast Iron
120.1.C	Closed Impeller	1	Stainless Steel 304
200.A	Mechanical Seal	1	Carbon vs. Ceramic
431	Casing Cover Gasket	1	Asbestos Sheet
210.1	Casing Cover	1	Stainless Steel 304
421	Sealing Chamber "O" Ring	1	Synthetic Rubber
211.1.M	Sealing Chamber for Mechanical Sealing	1	Stainless Steel 304
220	Frame Adaptor	1	Cast Iron
440	Deflector	1	Synthetic Rubber
434	Frame Adaptor Gasket	1	Oil Proof Paper

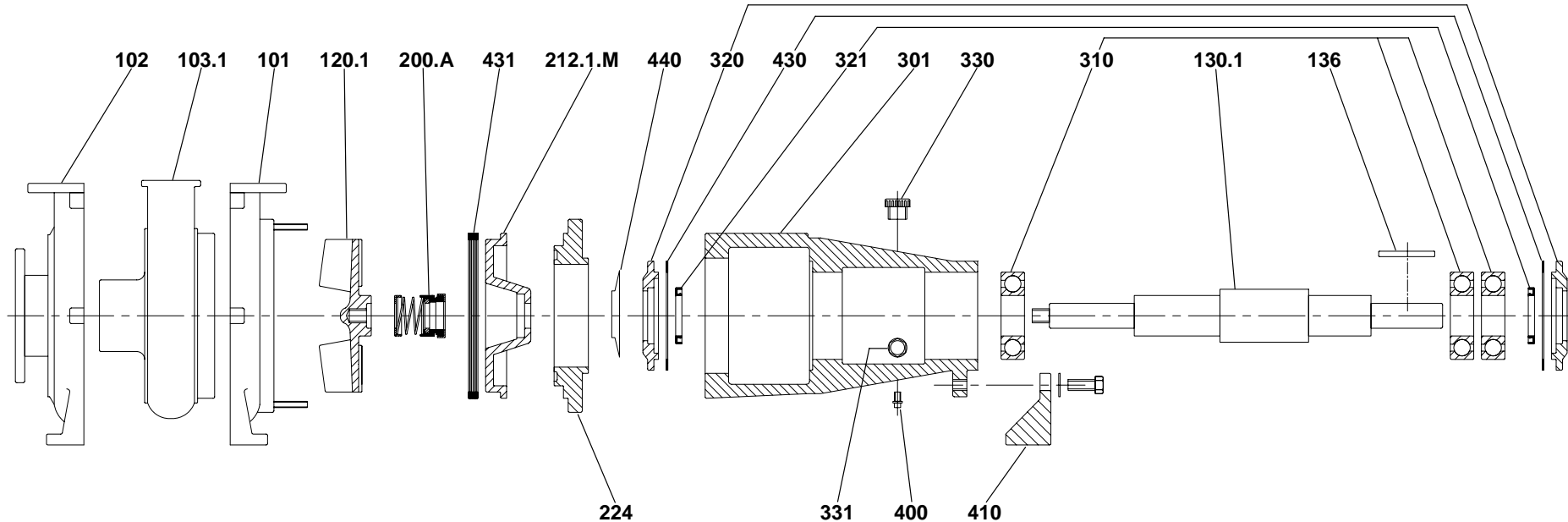
Part No.	Designation	Qty.	Material
321	Oil Seal	2	Synthetic Rubber
310	Bearing	2	Steel
130.1	Shaft	1	Stainless Steel 304
136	Shaft End Key	1	Stainless Steel 304
300	Bearing Frame	1	Cast Iron
330	Oil Cover	1	Aluminium Alloy
430	Bearing Cover Gasket	1	Oil Proof Paper
320	Bearing Cover	1	Cast Iron
410	Support Foot	1	Cast Iron
331	Oil Gauge	1	Plastic Threaded
400	Bearing Frame Drain Plug	1	Galvanise Steel
221*	Adaptor Extension Ring	1	Cast Iron

\* For all models except 50-165

## Parts List

D&E-T002-PL-0

<b>Type</b> <b>KS-SC</b>	<b>Model</b> <b>90-250S</b>	<b>Parts List No.</b> <b>PL0011</b>	<b>Revision No.</b> <b>2</b>
-----------------------------	--------------------------------	--	---------------------------------



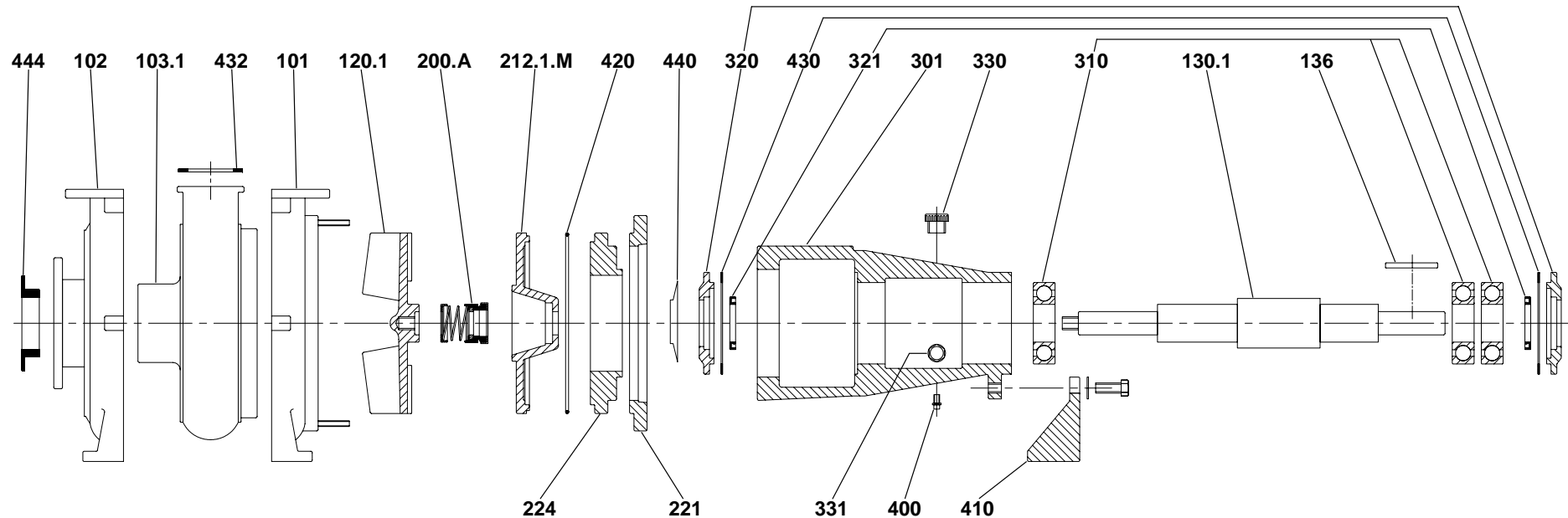
Part No.	Designation	Qty.	Material
102	Front Casing	1	Cast Iron
103.1	Volute Liner	1	Stainless Steel 304
101	Back Casing	1	Cast Iron
120.1	Impeller	1	Stainless Steel 304
200.A	Mechanical Seal	1	Carbon vs. Ceramic
431	Stuffing Box Cover Gasket	app. 6	Asbestos Sheet
212.1.M	Stuffing Box Cover for Mechanical Sealing	1	Stainless Steel 304
440	Deflector	1	Synthetic Rubber
320	Bearing Cover	2	Cast Iron
430	Bearing Cover Gasket	2	Oil Proof Paper

Part No.	Designation	Qty.	Material
321	Oil Seal	2	Synthetic Rubber
301	Bearing Bracket	1	Cast Iron
330	Oil Cover	1	Aluminium Alloy
310	Bearing	3	Steel
130.1	Shaft	1	Stainless Steel 304
136	Shaft End Key	1	Stainless Steel 304
410	Support Foot	1	Cast Iron
400	Bearing Bracket Drain Plug	1	Galvanise Steel
331	Oil Gauge	1	Plastic Threaded
224	Stuffing Box Cover Adaptor	1	Cast Iron

## Parts List

D&E-T002-PL-0

Type <b>KS-SC</b>	Model <b>100-315S</b>	Parts List No. <b>PL0012</b>	Revision No. <b>2</b>
----------------------	--------------------------	---------------------------------	--------------------------



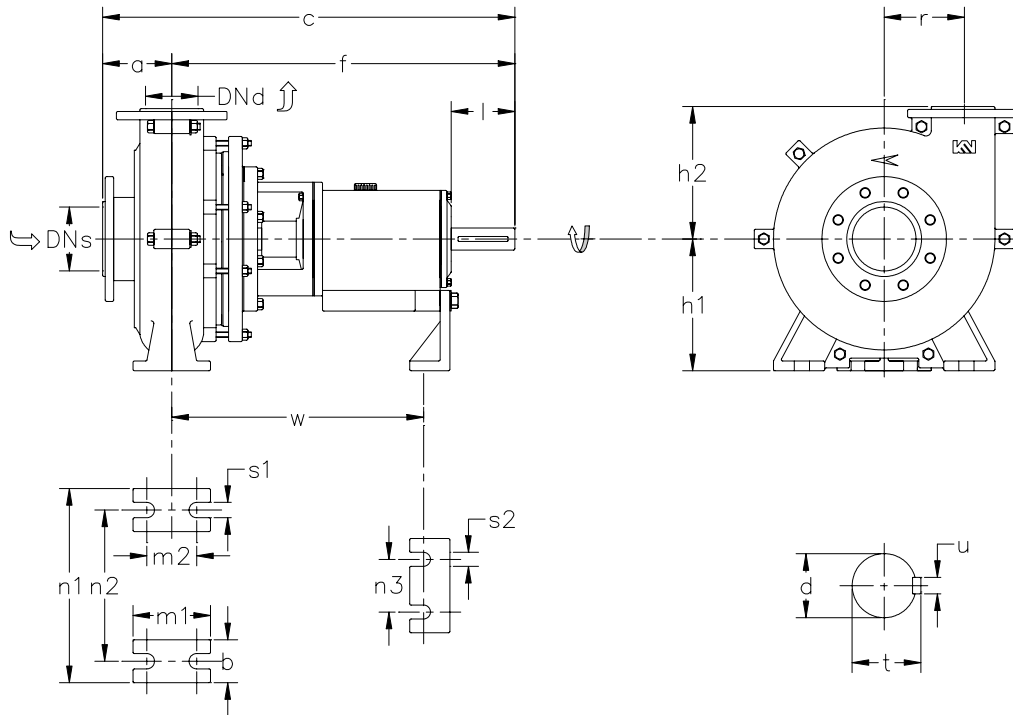
Part No.	Designation	Qty.	Material
444	Intake Joint Gasket	1	Synthetic Rubber
102	Front Casing	1	Cast Iron
103.1	Volute Liner	1	Stainless Steel 304
432	Discharge Flange Gasket	1	Synthetic Rubber
101	Back Casing	1	Cast Iron
120.1	Impeller	1	Stainless Steel 304
200.A	Mechanical Seal	1	Carbon vs. Ceramic
212.1.M	Stuffing Box Cover for Mechanical Sealing	1	Stainless Steel 304
420	Stuffing Box Cover "O" Ring	1	Synthetic Rubber
440	Deflector	1	Synthetic Rubber
320	Bearing Cover	2	Cast Iron

Part No.	Designation	Qty.	Material
430	Bearing Cover Gasket	2	Oil Proof Paper
321	Oil Seal	2	Synthetic Rubber
301	Bearing Bracket	1	Cast Iron
330	Oil Cover	1	Aluminium Alloy
310	Bearing	3	Steel
130.1	Shaft	1	Stainless Steel 304
136	Shaft End Key	1	Stainless Steel 304
410	Support Foot	1	Cast Iron
400	Bearing Bracket Drain Plug	1	Galvanise Steel
331	Oil Gauge	1	Plastic Threaded
221	Adaptor Extension Ring	1	Cast Iron
224	Stuffing Box Cover Adaptor	1	Cast Iron

# General Dimensions

D&E-T008-GD-0

Type <b>KS-SC</b>	Model <b>50-165, 50-215, 50-250 &amp; 80-200</b>	General Dimensions No. <b>GD0007</b>	Revision No. <b>2</b>
----------------------	---	---	--------------------------

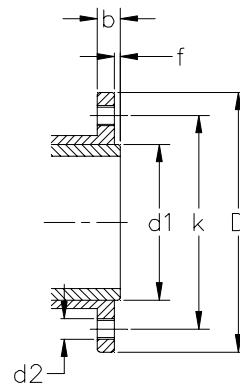


Dimensions in mm

PUMP MODEL	Flanges		Pump Dimensions						Foot Dimensions							Shaft End					
	DNd	DNs	a	f	c	h1	h2	r	b	m1	m2	n1	n2	n3	s1	s2	w	d	l	t	u
50-165	50	65	115	440	555	160	162	100	60	115	70	255	195	110	17	14	310	38	85	42.8	9.5
50-215	50	65	112	440	552	176	190	115	65	115	70	265	205	110	17	14	315	38	85	42.8	9.5
50-250	50	65	115	440	555	205	215	150	65	115	70	330	258	110	17	14	315	38	85	42.8	9.5
80-200	80	90	118	440	565	185	205	112	65	125	85	330	250	110	17	14	315	38	85	42.8	9.5

Dimensions in mm

PUMP MODEL	Branch	Flange		Raised Face		Drilling		
		D	B	d1	f	No.	d2	k
50-165	Suction	185	22	85	2	4	5/8 BSW"	145
50-215	Discharge	165	22	85	2	4	5/8 BSW"	125
50-250	Suction	185	22	85	2	4	5/8 BSW"	145
50-250	Discharge	185	22	85	2	4	5/8 BSW"	145
80-200	Suction	220	22	115	2	8	5/8 BSW"	180
80-200	Discharge	200	22	115	2	8	5/8 BSW"	160

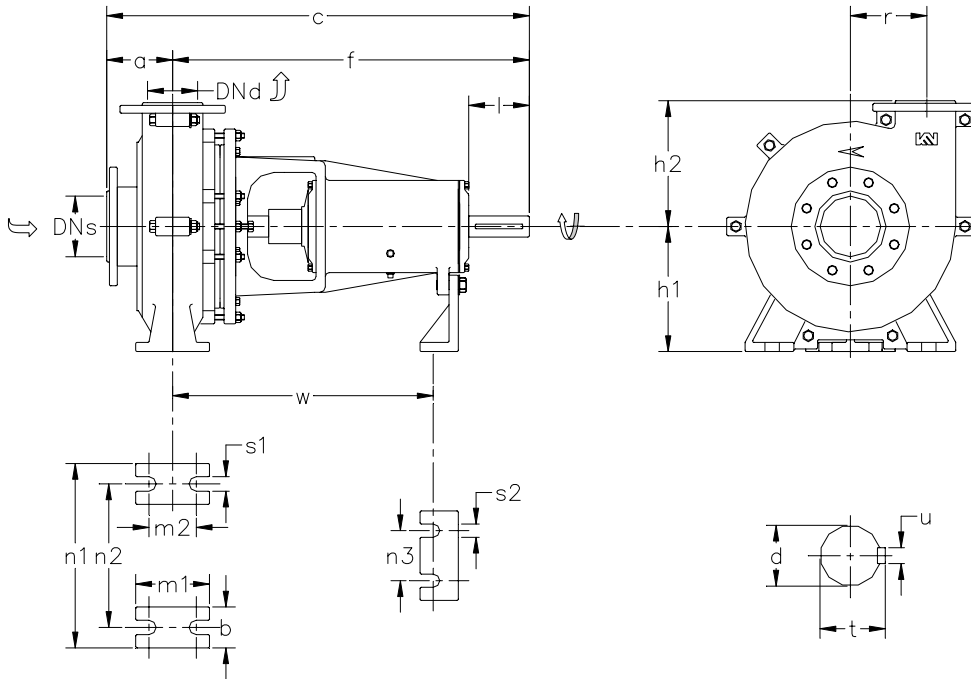


Holes equally spaced straddling pump centreline.

# General Dimensions

D&E-T008-GD-0

Type <b>KS-SC</b>	Model <b>90-250S &amp; 100-315S</b>	General Dimensions No. <b>GD0008</b>	Revision No. <b>3</b>
----------------------	--	---	--------------------------



Dimensions in mm

PUMP MODEL	Flanges		Pump Dimensions						Foot Dimensions								Shaft End				
	DNd	DNs	a	f	c	h1	h2	r	b	m1	m2	n1	n2	n3	s1	s2	w	d	l	t	u
90-250S	90	100	150	540	690	235	210	145	65	130	100	380	315	110	17	14	380	42	100	48.3	12.7
100-315S	100	125	155	535	690	265	255	175	65	130	100	380	315	185	17	14	375	42	100	48.3	12.7

Dimensions in mm

PUMP MODEL	Branch	Flange		Raised Face		Drilling		
		D	B	d1	f	No.	d2	k
90-250S	Suction	220	22	120	2	8	5/8 BSW"	180
	Discharge	200	22	136	2	8	5/8 BSW"	160
100-315S	Suction	250	26	150	2	8	5/8 BSW"	210
	Discharge	220	22	148	2	8	5/8 BSW"	180

Holes equally spaced straddling pump centreline.

