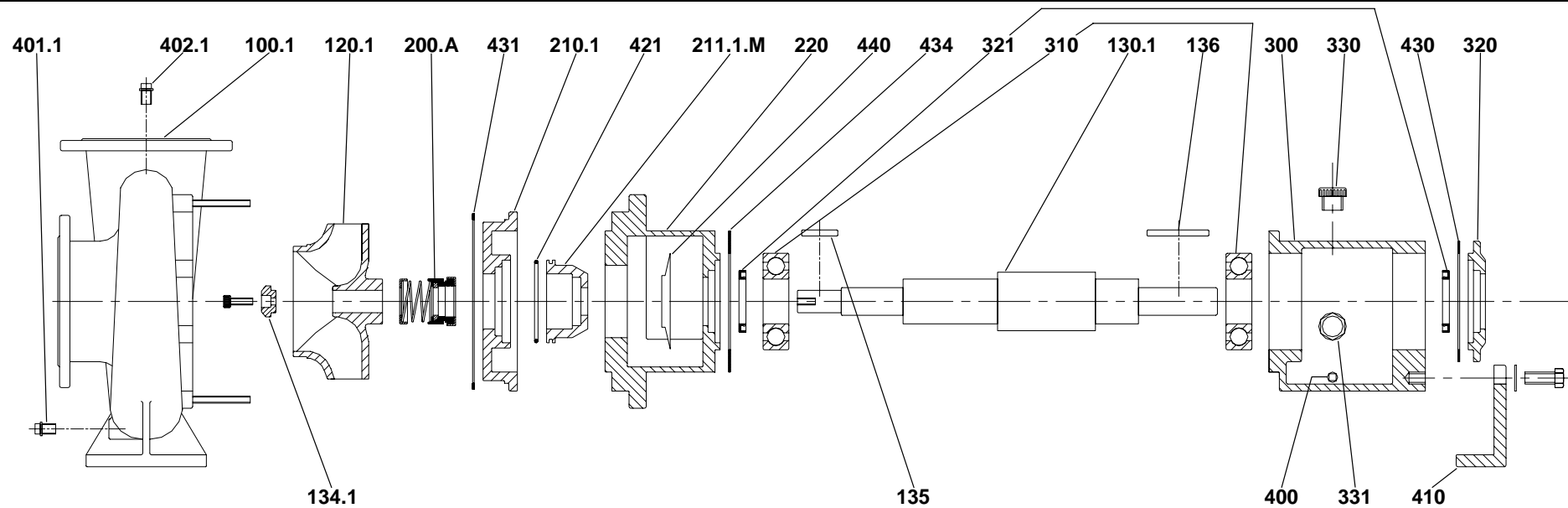


Parts List

D&E-T002-PL-0

Type KS-MF	Model MF 150	Parts List No. PL0020	Revision No. 1
----------------------	------------------------	---------------------------------	--------------------------



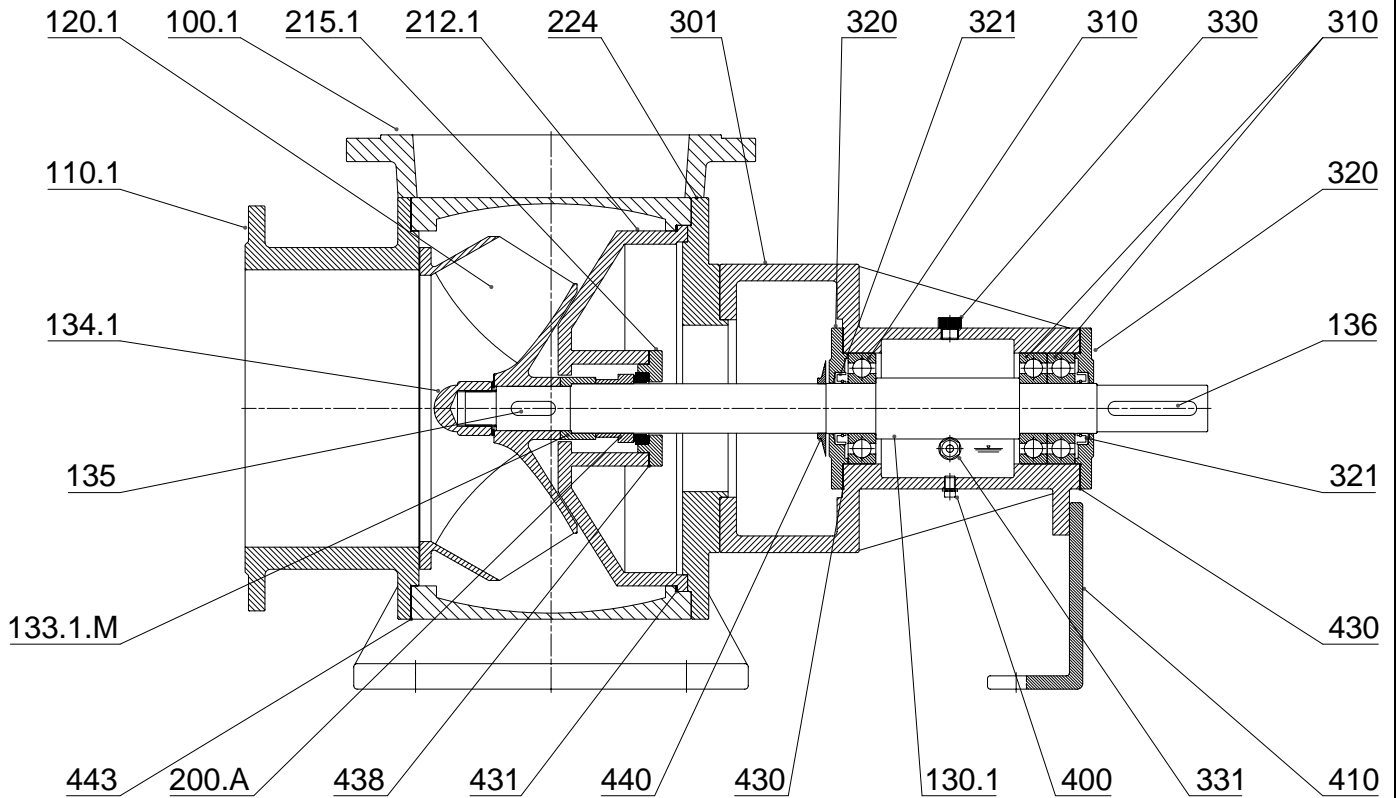
Part No.	Designation	Qty.	Material
100.1	Casing	1	Stainless Steel 304
120.1	Impeller	1	Stainless Steel 304
200.A	Mechanical Seal	1	Carbon vs. Ceramic
431	Casing Cover Gasket	1	Asbestos Sheet
210.1	Casing Cover	1	Stainless Steel 304
421	Sealing Chamber "O" Ring	1	Synthetic Rubber
211.1.M	Sealing Chamber for Mechanical Sealing	1	Stainless Steel 304
220	Frame Adaptor	1	Cast Iron
440	Deflector	1	Synthetic Rubber
434	Frame Adaptor Gasket	1	Oil Proof Paper
321	Oil Seal	2	Synthetic Rubber
310	Bearing	2	Steel

Part No.	Designation	Qty.	Material
130.1	Shaft	1	Stainless Steel 304
136	Shaft End Key	1	Stainless Steel 304
300	Bearing Frame	1	Cast Iron
330	Oil Cover	1	Aluminium Alloy
430	Bearing Cover Gasket	1	Oil Proof Paper
320	Bearing Cover	1	Cast Iron
410	Support Foot	1	Cast Iron
331	Oil Gauge	1	Plastic Threaded
400	Bearing Frame Drain Plug	1	Galvanise Steel
135	Key for Impeller	1	Stainless Steel 304
134.1	Impeller Hub Cap	1	Stainless Steel 304
401.1	Casing Drain Plug	1	Stainless Steel 304
402.1	Venting Plug	1	Stainless Steel 304

Parts List

D&E-T002-PL-0

Type KS-MF	Model MF 250	Parts List No. PL0009	Revision No. 2
----------------------	------------------------	---------------------------------	--------------------------



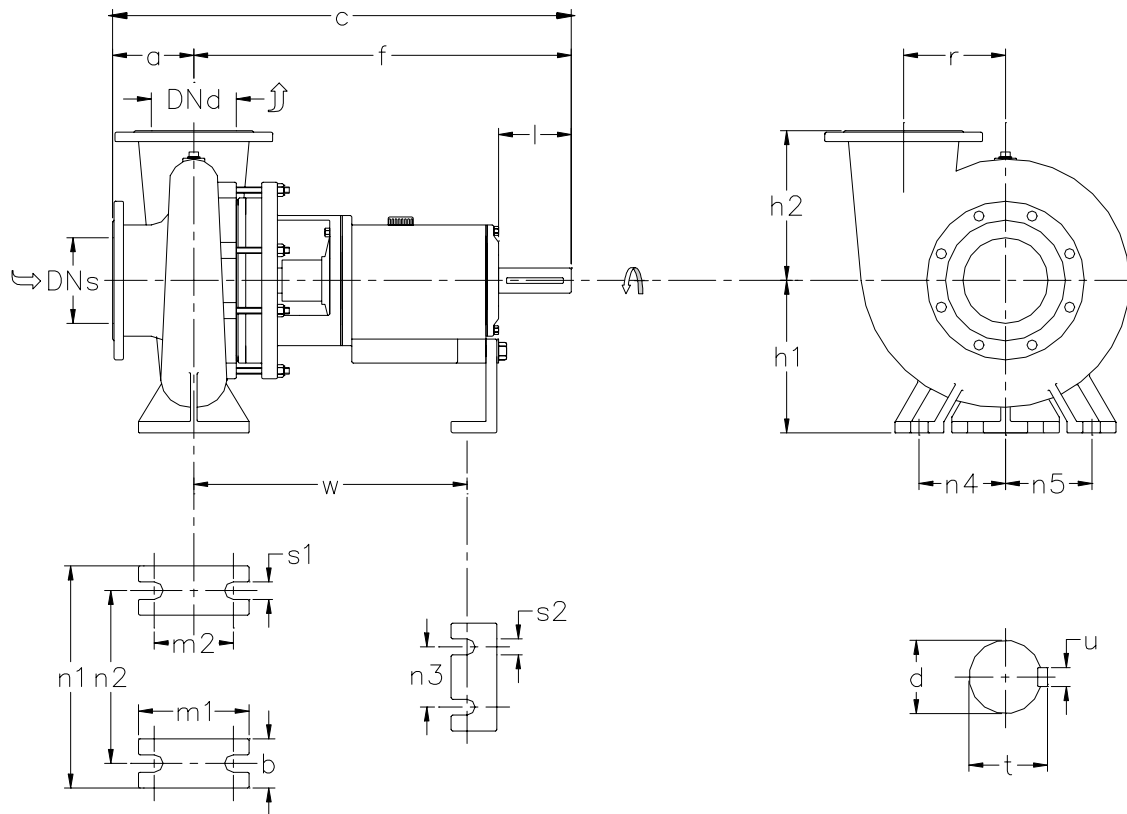
Part No.	Description	Standard Material
100.1	Casing	Stainless Steel 304
110.1	Suction Door	Stainless Steel 304
120.1	Impeller	Stainless Steel 304
130.1	Shaft	Stainless Steel 304
133.1.M	Shaft Sleeve for Mechanical Sealing	Stainless Steel 304
134.1	Impeller Nut	Stainless Steel 304
135	Key for Impeller	Stainless Steel 304
136	Shaft End key	Stainless Steel 304
200.A	Mechanical Seal	Carbon vs. Ceramic
212.1	Stuffing Box Cover	Stainless Steel 304
215.1	Seal Cover	Stainless Steel 304
224	Stuffing Box Cover Adaptor	Cast Iron

Part No.	Description	Standard Material
301	Bearing Bracket	Cast Iron
310	Bearing	Steel
320	Bearing Cover	Cast Iron
321	Oil Seal	Synthetic Rubber
330	Oil Cover	Aluminium Alloy
331	Oil Gauge	Plastic Threaded
400	Bearing Bracket Drain Plug	Galvanise Steel
410	Support Foot	Cast Iron
430	Bearing Cover Gasket	Oil Proof Paper
431	Stuffing Box Cover Gasket	Asbestos Sheet
438	Seal Cover Gasket	Asbestos Sheet
440	Deflector	Synthetic Rubber
443	Suction Door Gasket	Asbestos Sheet

General Dimensions

D&E-T008-GD-0

Type KS-MF	Model MF 150	General Dimensions No. GD0011	Revision No. 0
----------------------	------------------------	---	--------------------------



Dimensions in mm

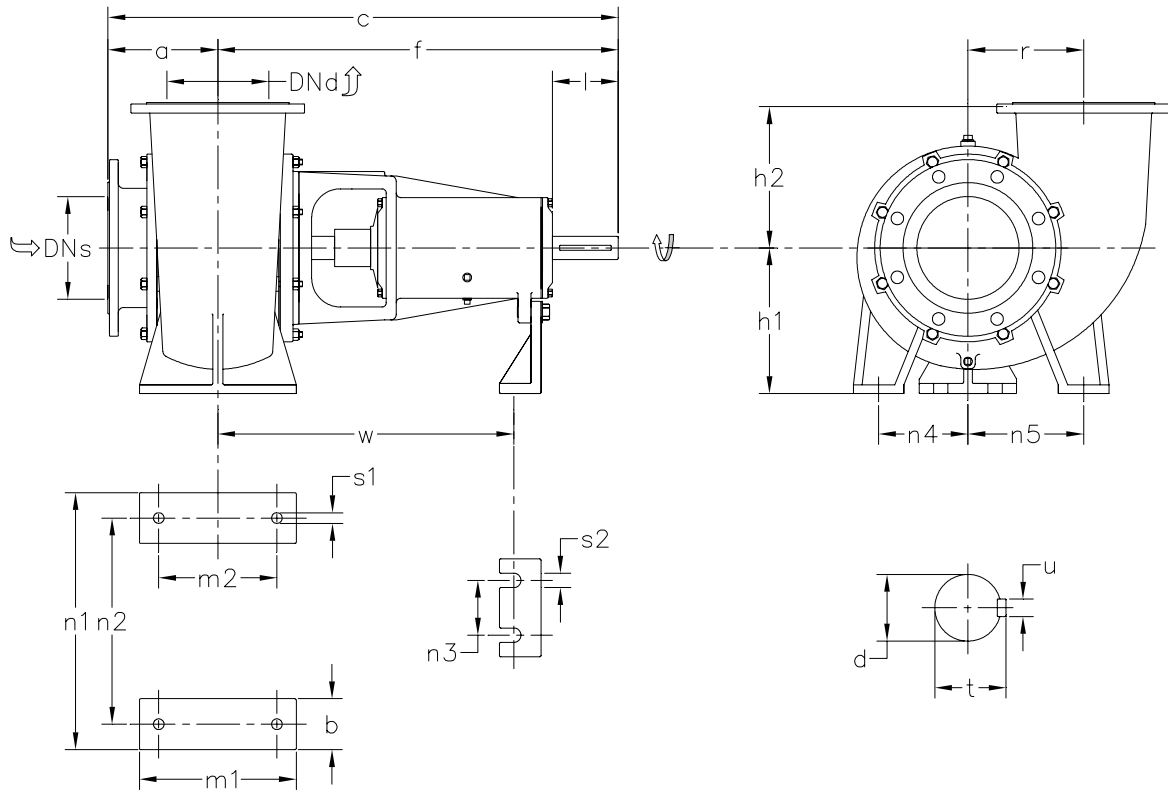
PUMP MODEL	Flanges		Pump Dimensions						Foot Dimensions								Shaft End						
	DNd	DNs	a	f	c	h1	h2	r	b	m1	m2	n1	n2	n3	n4	n5	s1	s2	w	d	l	t	u
MF 150	150	150	165	442	607	206	195	150	55	225	180	350	300	110	172	128	18	14	300	38	80	42.8	9.5

Flange dimensions according to ISO2084-PN16 (BS4504-1969 Table 16/11. DIN2501/PN16)

General Dimensions

D&E-T008-GD-0

Type KS-MF	Model MF 250	General Dimensions No. GD0012	Revision No. 0
----------------------	------------------------	---	--------------------------



Dimensions in mm

PUMP MODEL	Flanges		Pump Dimensions						Foot Dimensions							Shaft End							
	DNd	DNs	a	f	c	h1	h2	r	b	m1	m2	n1	n2	n3	n4	n5	s1	s2	w	d	l	t	u
MF 250	250	250	280	595	875	315	290	240	105	320	245	520	425	185	175	250	22	14	420	42	100	48.3	12.7

Dimensions in mm

Nominal Dia.	Flange		Raised Face		Drilling*			Bolting
	DN	D	B	d1	f	No.	d2	
250	360	22	295	3	8	18	320	M16

Holes equally spaced straddling pump centreline.

