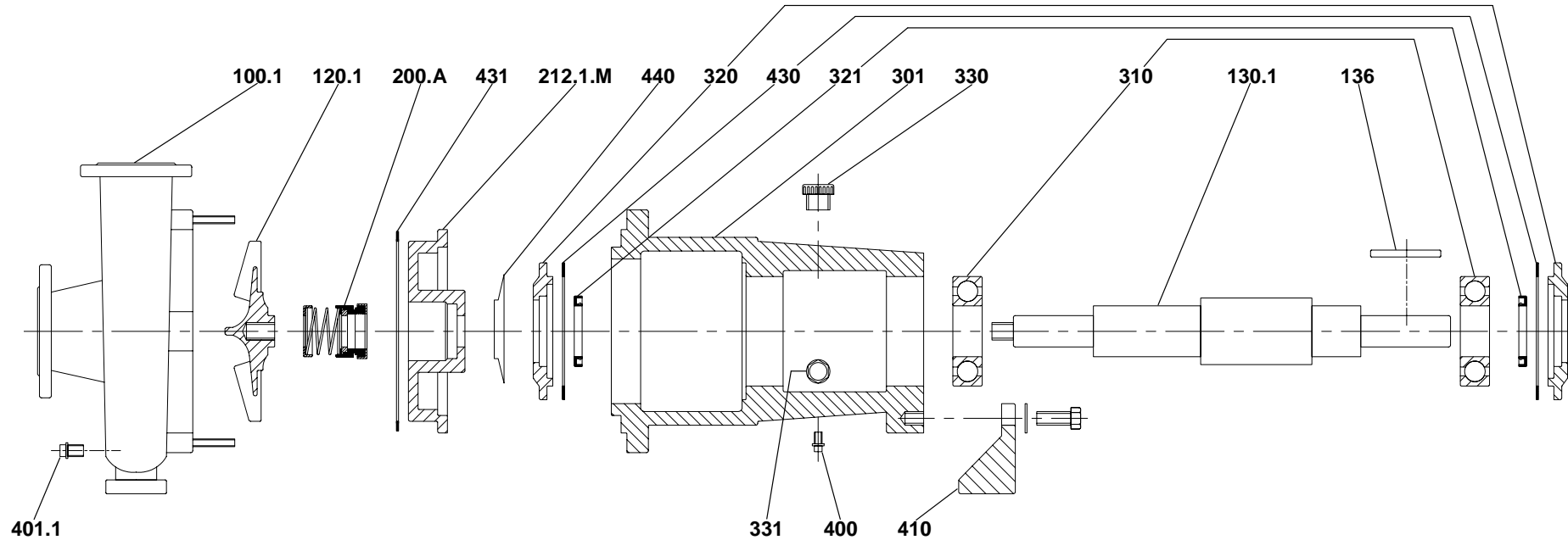


Parts List

D&E-T002-PL-0

Type KS-BO	Model 25-160	Parts List No. PL0013	Revision No. 1
----------------------	------------------------	---------------------------------	--------------------------



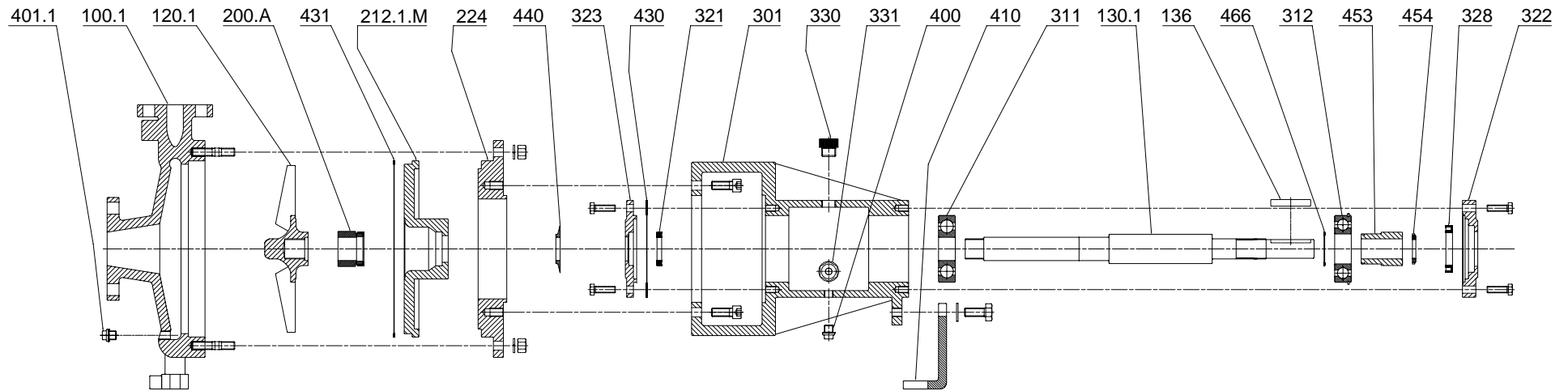
Part No.	Designation	Qty.	Material
100.1	Casing	1	Stainless Steel 304
120.1	Impeller	1	Stainless Steel 304
200.A	Mechanical Seal	1	Carbon vs. Ceramic
431	Stuffing Box Cover Gasket	1	Asbestos Sheet
212.1.M	Stuffing Box Cover for Mechanical Sealing	1	Stainless Steel 304
440	Deflector	1	Synthetic Rubber
320	Bearing Cover	2	Cast Iron
430	Bearing Cover Gasket	2	Oil Proof Paper
321	Oil Seal	2	Synthetic Rubber

Part No.	Designation	Qty.	Material
301	Bearing Bracket	1	Cast Iron
330	Oil Cover	1	Aluminium Alloy
310	Bearing	2	Steel
130.1	Shaft	1	Stainless Steel 304
136	Shaft End Key	1	Stainless Steel 304
410	Support Foot	1	Cast Iron
400	Bearing Bracket Drain Plug	1	Galvanise Steel
331	Oil Gauge	1	Plastic Threaded
401.1	Casing Drain Plug	1	Stainless Steel 304

Parts List

D&E-T002-PL-0

Type KS-BO	Model 25-250	Parts List No. PL0014	Revision No. 2
-----------------------------	-------------------------------	--	---------------------------------



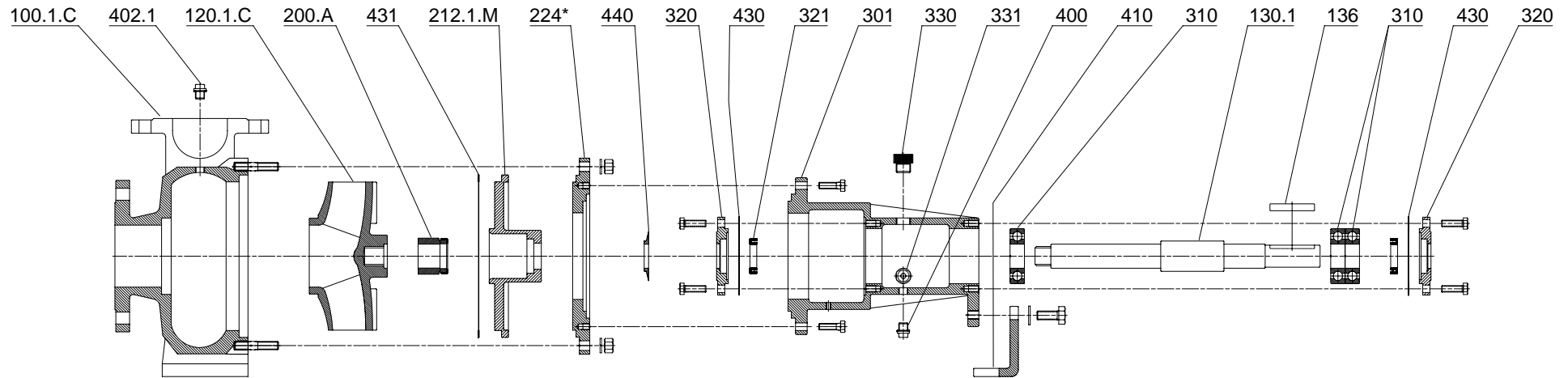
Part No.	Description	Standard Material
100.1	Casing	Stainless Steel 304
120.1	Impeller	Stainless Steel 304
130.1	Shaft	Stainless Steel 304
136	Shaft End Key	Stainless Steel 304
200.A	Mechanical Seal	Carbon vs. Ceramic
212.1.M	Stuffing Box Cover for Mechanical Sealing	Stainless Steel 304
224	Stuffing Box Cover Adaptor	Cast Iron
301	Bearing Bracket	Cast Iron
311	Pump End Bearing	Steel
312	Drive End Bearing	Steel
321	Oil Seal	Synthetic Rubber
322	Drive End Bearing Cover	Cast Iron
323	Pump End Bearing Cover	Cast Iron

Part No.	Description	Standard Material
328	Drive End Bearing Oil Seal	Synthetic Rubber
330	Oil Cover	Aluminium Alloy
331	Oil Gauge	Plastic Threaded
400	Bearing Bracket Drain Plug	Galvanise Steel
401.1	Casing Drain Plug	Stainless Steel 304
410	Support Foot	Cast Iron
430	Bearing Cover Gasket	Oil Proof Paper
431	Stuffing Box Cover Gasket	Asbestos Sheet
440	Deflector	Synthetic Rubber
453	Adjusting Sleeve	Stainless Steel 304
454	Adjusting Sleeve Lock Nut	Stainless Steel 304
466	Drive End Bearing Cir Clip	Steel

Parts List

D&E-T002-PL-0

Type KS-BO	Model 50-165, 50-165F, 80-200 & 80-200F	Parts List No. PL0015	Revision No. 1
----------------------	---	---------------------------------	--------------------------



Part No.	Description	Standard Material
100.1.C	Casing for Closed Impeller	Stainless Steel 304
120.1.C	Closed Impeller	Stainless Steel 304
130.1	Shaft	Stainless Steel 304
136	Shaft End Key	Stainless Steel 304
200.A	Mechanical Seal	Carbon vs. Ceramic
212.1.M	Stuffing Box Cover for Mechanical Sealing	Stainless Steel 304
224*	Stuffing Box Cover Adaptor	Cast Iron
301	Bearing Bracket	Cast Iron
310	Bearing	Steel
320	Bearing Cover	Cast Iron

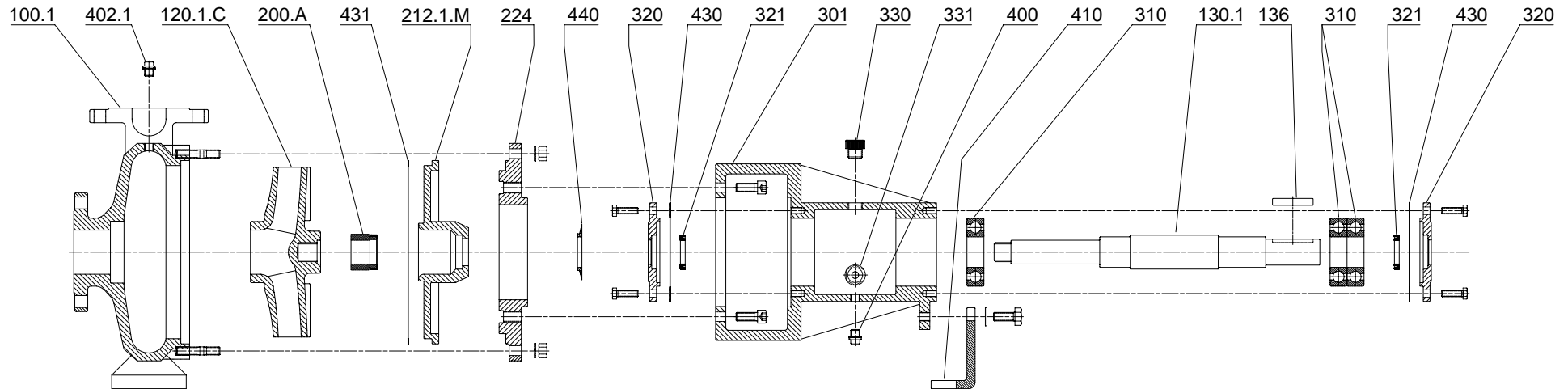
Part No.	Description	Standard Material
321	Oil Seal	Synthetic Rubber
330	Oil Cover	Aluminium Alloy
331	Oil Gauge	Plastic Threaded
400	Bearing Bracket Drain Plug	Galvanise Steel
402.1	Venting Plug	Stainless Steel 304
410	Support Foot	Cast Iron
430	Bearing Cover Gasket	Oil Proof Paper
431	Stuffing Box Cover Gasket	Asbestos Sheet
440	Deflector	Synthetic Rubber

* For model 80-200 only

Parts List

D&E-T002-PL-0

Type KS-BO	Model 50-250 & 50-250F	Parts List No. PL0016	Revision No. 2
----------------------	--------------------------------------	---------------------------------	--------------------------



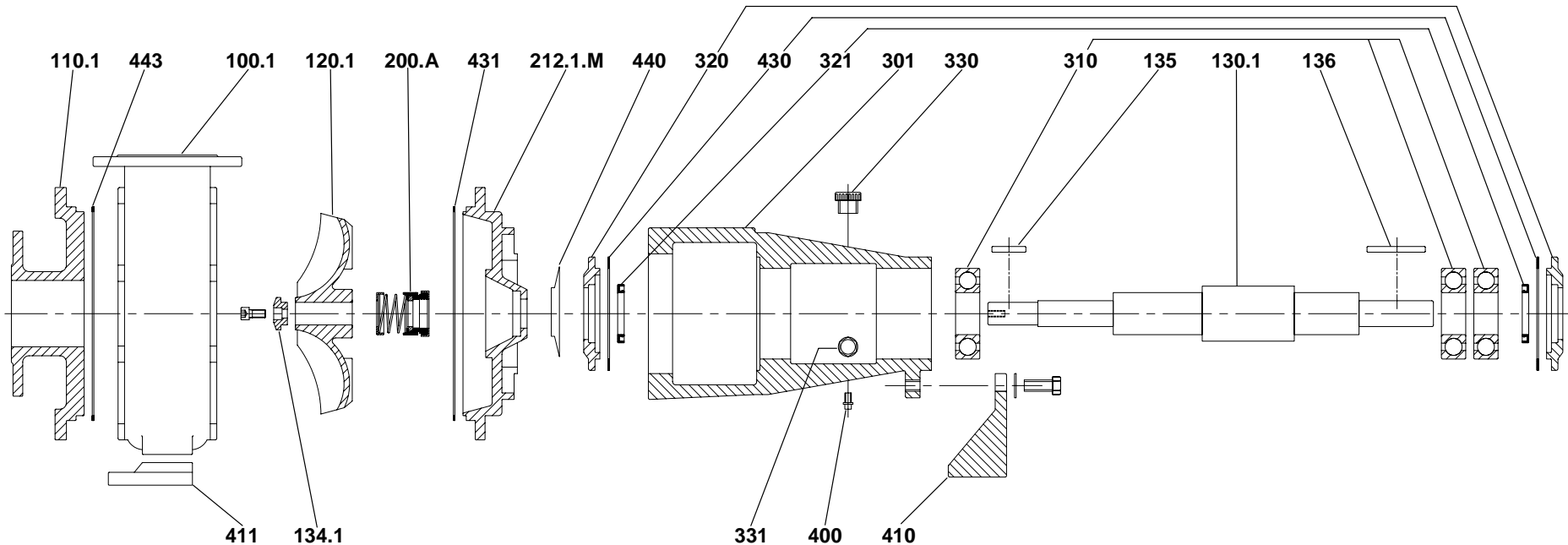
Part No.	Description	Standard Material
100.1	Casing	Stainless Steel 304
120.1.C	Closed Impeller	Stainless Steel 304
130.1	Shaft	Stainless Steel 304
136	Shaft End Key	Stainless Steel 304
200.A	Mechanical Seal	Carbon vs. Ceramic
212.1.M	Stuffing Box Cover for Mechanical Sealing	Stainless Steel 304
224	Stuffing Box Cover Adaptor	Cast Iron
301	Bearing Bracket	Cast Iron
310	Bearing	Steel
320	Bearing Cover	Cast Iron

Part No.	Description	Standard Material
321	Oil Seal	Synthetic Rubber
330	Oil Cover	Aluminium Alloy
331	Oil Gauge	Plastic Threaded
400	Bearing Bracket Drain Plug	Galvanise Steel
402.1	Venting Plug	Stainless Steel 304
410	Support Foot	Cast Iron
430	Bearing Cover Gasket	Oil Proof Paper
431	Stuffing Box Cover Gasket	Asbestos Sheet
440	Deflector	Synthetic Rubber

Parts List

D&E-T002-PL-0

Type KS-BO	Model 90-250F, 100-315F & 150-315F	Parts List No. PL0018	Revision No. 3
----------------------	--	---------------------------------	--------------------------



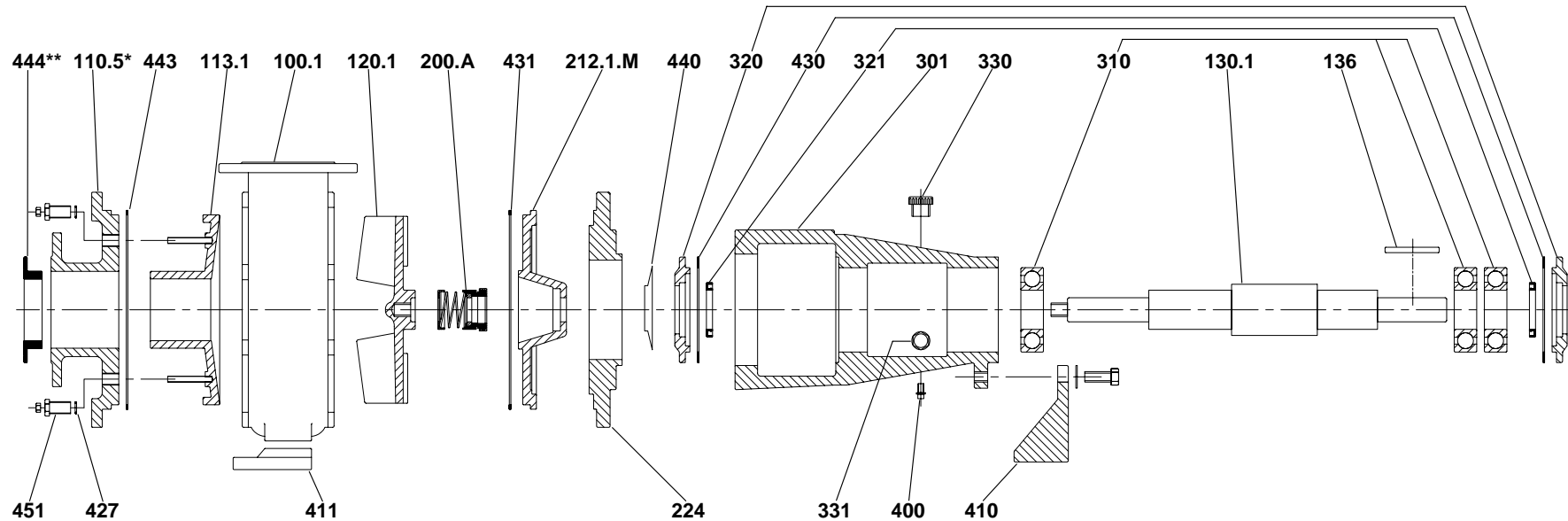
Part No.	Designation	Qty.	Material
110.1	Suction Door	1	Stainless Steel 304
443	Suction Door Gasket	1	Asbestos Sheet
100.1	Casing	1	Stainless Steel 304
120.1	Impeller	1	Stainless Steel 304
200.A	Mechanical Seal	1	Carbon vs. Ceramic
431	Stuffing Box Cover Gasket	1	Asbestos Sheet
212.1.M	Stuffing Box Cover for Mechanical Sealing	1	Stainless Steel 304
440	Deflector	1	Synthetic Rubber
320	Bearing Cover	2	Cast Iron
430	Bearing Cover Gasket	2	Oil Proof Paper
321	Oil Seal	2	Synthetic Rubber

Part No.	Designation	Qty.	Material
301	Bearing Bracket	1	Cast Iron
330	Oil Cover	1	Aluminium Alloy
310	Bearing	3	Steel
135	Key for Impeller	1	Stainless Steel 304
130.1	Shaft	1	Stainless Steel 304
136	Shaft End Key	1	Stainless Steel 304
410	Support Foot	1	Cast Iron
400	Bearing Bracket Drain Plug	1	Galvanise Steel
331	Oil Gauge	1	Plastic Threaded
134.1	Impeller Hub Cab	1	Stainless Steel 304
411	Casing Foot	1	Cast Iron

Parts List

D&E-T002-PL-0

Type KS-BO	Model 100-315S & 150-315S	Parts List No. PL0017	Revision No. 4
----------------------	---	---------------------------------	--------------------------



Part No.	Designation	Qty.	Material
110.5*	Suction Door	1	Cast Iron
443	Suction Door Gasket	1	Asbestos Sheet
113.1	Suction Wear Plate	1	Stainless Steel 304
100.1	Casing	1	Stainless Steel 304
120.1	Impeller	1	Stainless Steel 304
200.A	Mechanical Seal	1	Carbon vs. Ceramic
431	Stuffing Box Cover Gasket	1	Asbestos Sheet
212.1.M	Stuffing Box Cover for Mechanical Sealing	1	Stainless Steel 304
440	Deflector	1	Synthetic Rubber
320	Bearing Cover	2	Cast Iron
430	Bearing Cover Gasket	2	Oil Proof Paper
321	Oil Seal	2	Synthetic Rubber
301	Bearing Bracket	1	Cast Iron

Part No.	Designation	Qty.	Material
330	Oil Cover	1	Aluminium Alloy
310	Bearing	3	Steel
130.1	Shaft	1	Stainless Steel 304
136	Shaft End Key	1	Stainless Steel 304
410	Support Foot	1	Cast Iron
400	Bearing Bracket Drain Plug	1	Galvanise Steel
331	Oil Gauge	1	Plastic Threaded
224	Stuffing Box Cover Adaptor	1	Cast Iron
411	Casing Foot	1	Cast Iron
427	Clearance Adjusting Screw "O" Ring	4	Synthetic Rubber
451	Clearance Adjusting Screw	4	Mild Steel
444**	Intake Joint Gasket	1	Synthetic Rubber

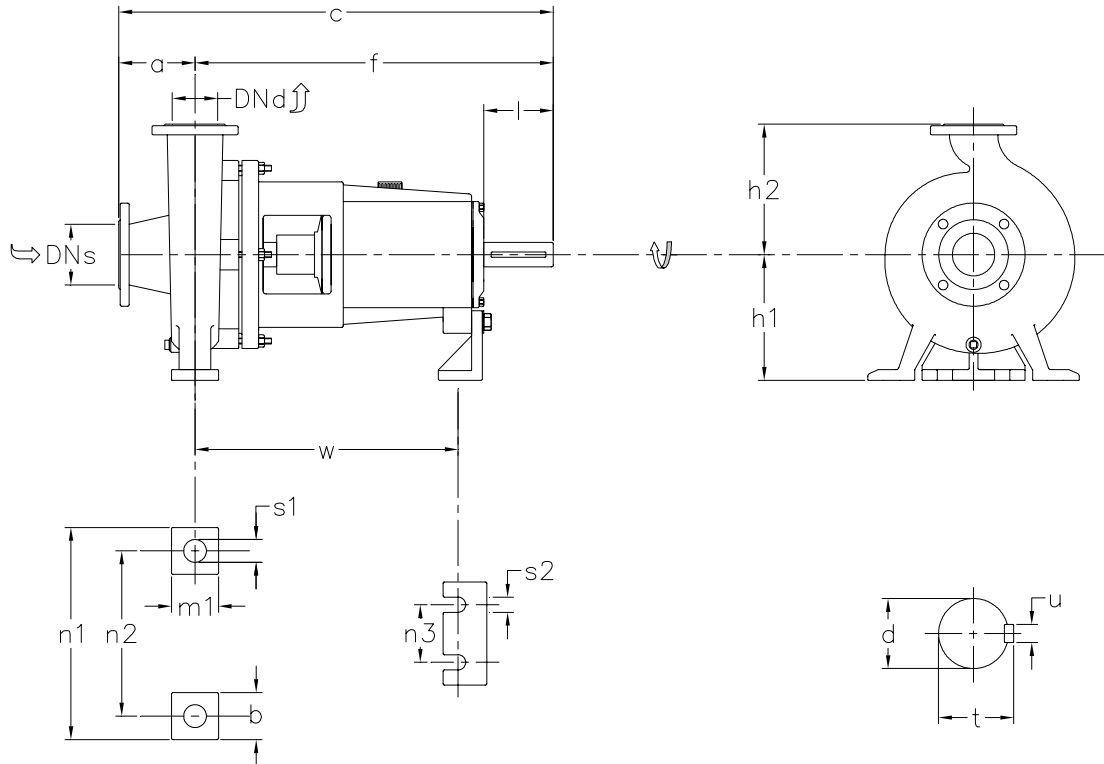
* Standard material for 100-315S. For 150-315S, suction door standard material is Stainless Steel 304

** For model 100-315S only

General Dimensions

D&E-T008-GD-0

Type KS-BO	Model 25-160 & 25-250	General Dimensions No. GD0009	Revision No. 0
----------------------	-------------------------------------	---	--------------------------



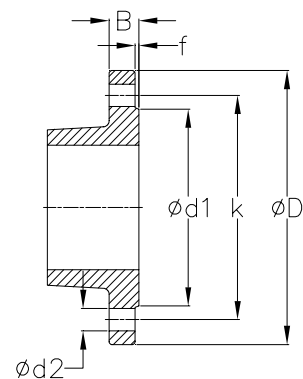
Dimensions in mm

PUMP MODEL	Flanges		Pump Dimensions					Foot Dimensions							Shaft End				
	DNd	DNs	a	f	c	h1	h2	b	m1	n1	n2	n3	s1	s2	w	d	l	t	u
25-160	25	40	110	340	450	135	170	55	38	210	155	110	14	14	240	24	50	26.9	8
25-250	25	50	102	518	620	210	216	65	40	285	245	185	14	17	345	28	72	31.9	8

Dimensions in mm

PUMP MODEL	Branch	Flange		Raised Face		Drilling		
		D	B	d1	f	No.	d2	k
25-160	Suction	125	20	79	2	4	14	98
	Discharge	110	20	60	2	4	14	80
25-250	Suction	154	20	-	-	4	18	122
	Discharge	113	20	-	-	4	18	79

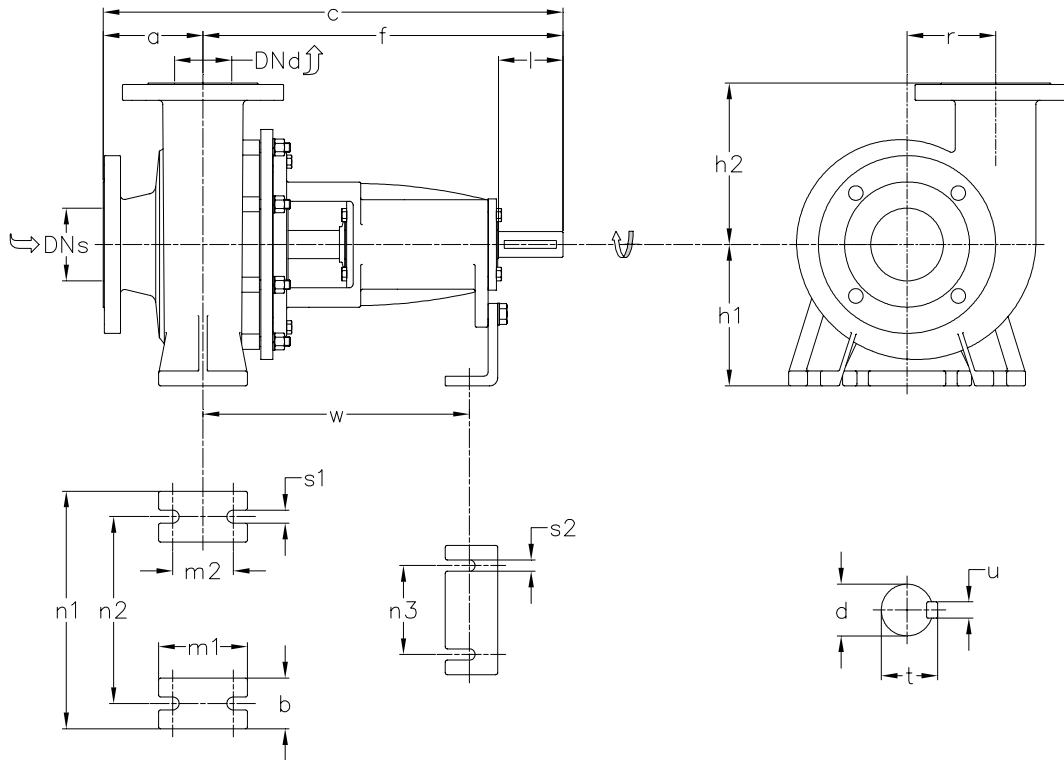
Holes equally spaced straddling pump centreline.



General Dimensions

D&E-T008-GD-0

Type KS-BO	Model 50-165, 50-165F, 50-250, 50-250F, 80-200 & 80-200F	General Dimensions No. GD0010	Revision No. 0
----------------------	--	---	--------------------------



Dimensions in mm

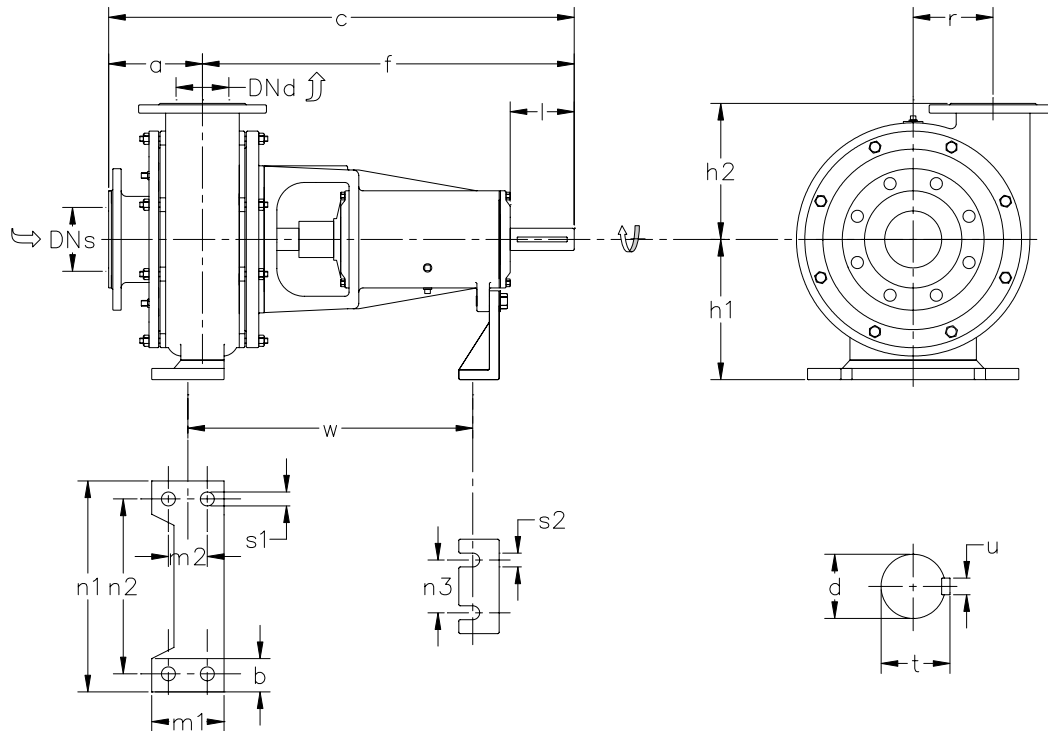
PUMP MODEL	Flanges		Pump Dimensions						Foot Dimensions							Shaft End					
	DNd	DNs	a	f	c	h1	h2	r	b	m1	m2	n1	n2	n3	s1	s2	w	d	l	t	u
50-165 / 50-165F	50	65	115	410	525	152	162	96	50	115	70	255	210	110	18	14	290	28	65	32	8
50-250 / 50-250F	50	65	115	500	615	202	212	146	75	110	65	325	255	110	18	14	350	38	80	42.8	9.5
80-200	80	90	125	450	575	175	198	115	65	125	85	320	255	110	18	14	320	32	80	36.8	9.5
80-200F	80	90	125	480	605	175	198	115	65	125	85	320	255	110	18	14	350	32	80	36.8	9.5

Flange dimensions according to ISO2084-PN16 (BS4504-1969 Table 16/11. DIN2501/PN16)

General Dimensions

D&E-T008-GD-0

Type KS-BO	Model 90-250F, 100-315S, 100-315F, 150-315S & 150-315F	General Dimensions No. GD0013	Revision No. 1
----------------------	--	---	--------------------------



Dimensions in mm

PUMP MODEL	Flanges		Pump Dimensions					Foot Dimensions							Shaft End						
	DNd	DNs	a	f	c	h1	h2	r	b	m1	m2	n1	n2	n3	s1	s2	w	d	l	t	u
90-250F	90	100	145	560	705	234	205	145	65	130	85	385	315	110	17	14	410	42	100	48.3	12.7
100-315S	100	125	145	540	685	260	270	165	65	130	85	385	315	185	17	14	380	42	100	48.3	12.7
100-315F	100	125	145	575	720	260	270	165	65	130	85	385	315	185	17	14	415	42	100	48.3	12.7
150-315S	150	150	168	555	723	266	280	150	65	130	85	385	315	185	17	14	395	42	100	48.3	12.7
150-315F	150	150	168	590	758	266	280	150	65	130	85	385	315	185	17	14	430	42	100	48.3	12.7

Flange dimensions according to ISO2084-PN16 (BS4504-1969 Table 16/11. DIN2501/PN16)